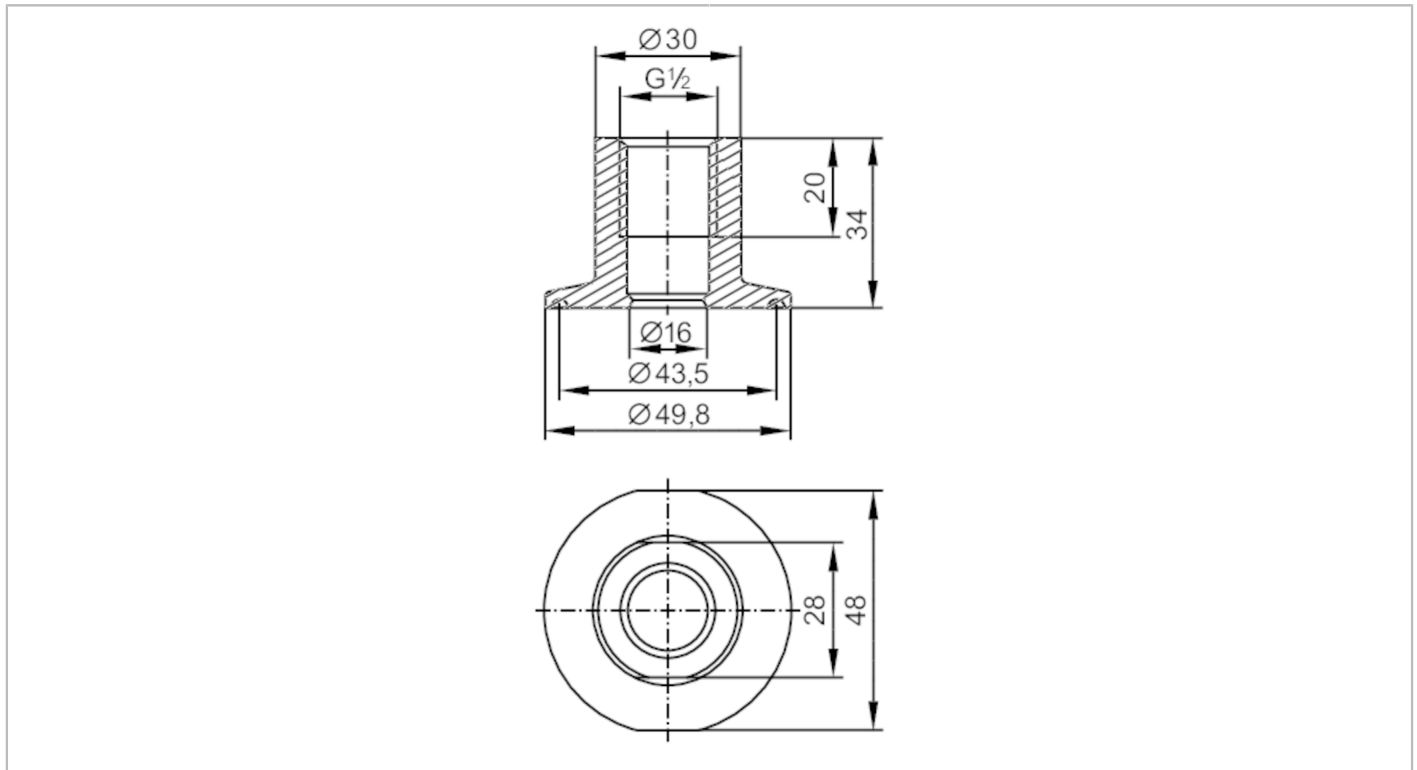


E33401



Process adapter Tri-Clamp

ADAPT G1/2-CLAMP DIN32676/1



CRN EC 1935/2004 EHEDG Tested FCM FDA

Application		
Pressure rating	25 bar	2.5 MPa
MAWP for applications according to CRN [bar]	25	
Tests / approvals		
Pressure Equipment Directive	A possible classification to PED depends on the application and has to be carried out by the user / operator.	
Safety instructions	The compatibility between medium and product material has to be checked in all applications.	
Mechanical data		
Weight [g]	204.5	
Materials	stainless steel (316L/1.4435)	
Sensor connection	G 1/2	
Process connection	Clamp DN25...DN40 (1...1,5") DIN 32676 (ISO 2852)	
Surface characteristics Ra/Rz of the wetted parts	Ra < 0.4 µm / Rz = 4 µm	
Remarks		
Pack quantity	1 pcs.	