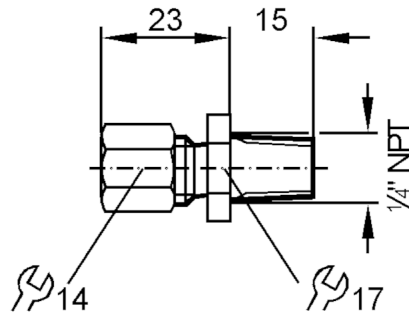


E30049



Progressive ring fitting

PROGRESSIVE RG FITTING D6 NPT



Application	
Installation	Progressive ring fitting
Pressure rating	50 bar / 5 MPa
Tests / approvals	
Pressure Equipment Directive	A possible classification to PED depends on the application and has to be carried out by the user / operator.
Safety instructions	The compatibility between medium and product material has to be checked in all applications.
Mechanical data	
Weight [g]	42.5
Materials	stainless steel (316Ti/1.4571)
Sensor connection	Ø 6 mm
Process connection	threaded connection 1/4" NPT
Remarks	
Pack quantity	1 pcs.