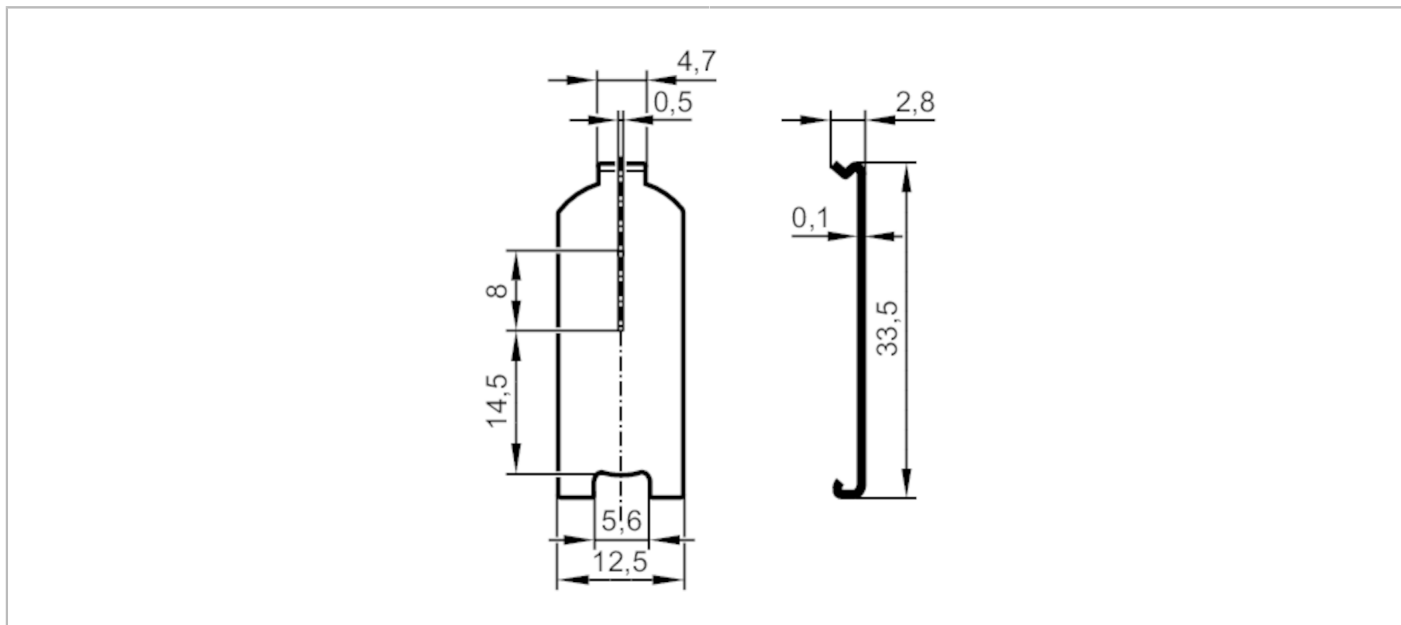


E21280



Slot mask

SLIT DIAPHRAGM O6 0,5 X 8 MM



Product characteristics	
Dimensions	[mm] 33.5 x 12.5 x 2.8
Application	
Design	for types O6E / O6S Kunststoff
Application	[m] 0.8
Detection zone	
Diameter of the smallest detectable object	[mm] 0.3
Mechanical data	
Weight	[g] 4.5
Dimensions	[mm] 33.5 x 12.5 x 2.8
Materials	stainless steel (1.4310 / 301)
Remarks	
Remarks	The smallest object can only be detected if a mask is attached to both transmitter and receiver.
Pack quantity	1 pcs.