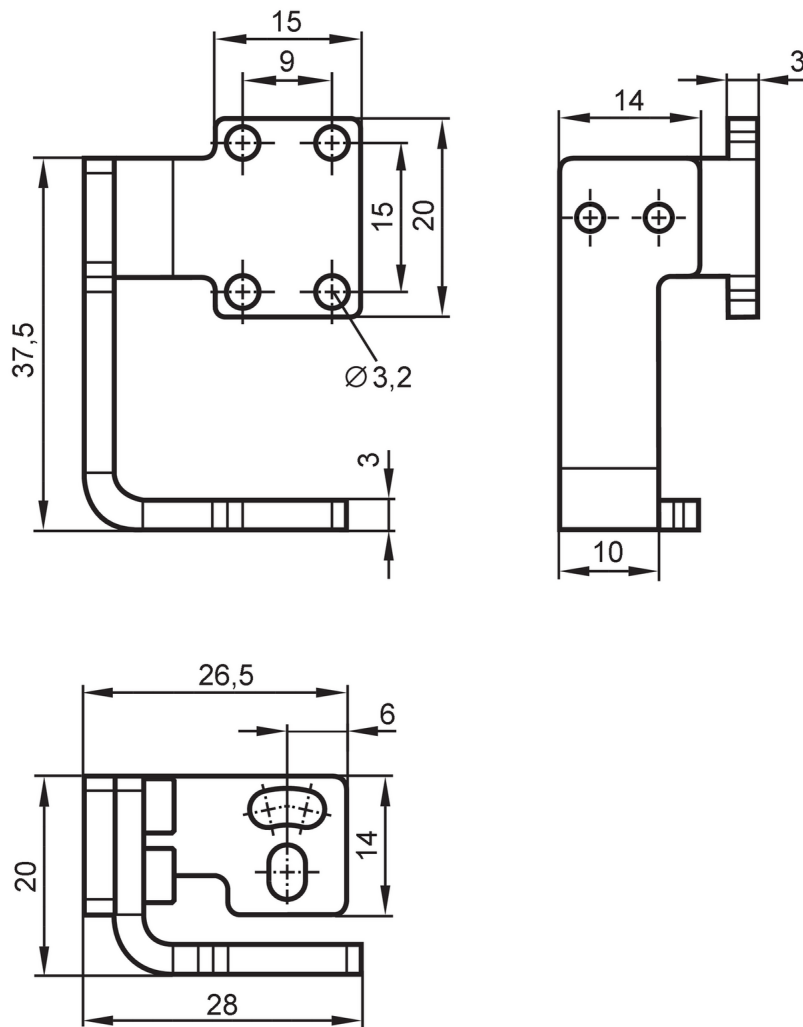


E21238



Angle bracket

ANGLE BRACKET



Application	
Design	for types O7
Installation	free-standing mounting
Mechanical data	
Weight [g]	42
Type of mounting	free-standing
Materials	fixture: stainless steel; screws: stainless steel
Accessories	
Items supplied	screws: 2
Remarks	
Pack quantity	1 pcs.