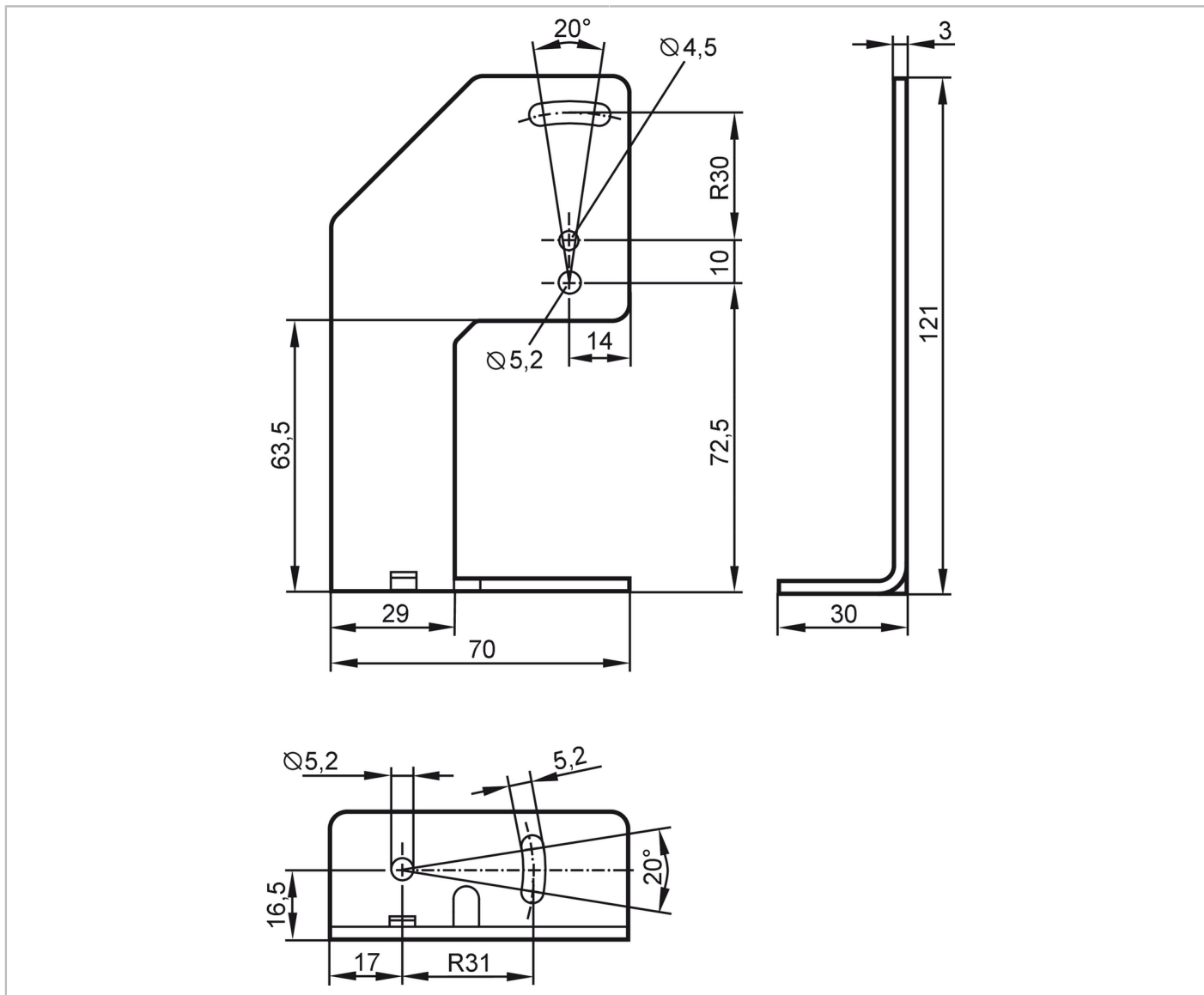


E21120



Angle bracket

O4 STANDARD BRACKET



Application	
Design	for types O4
Mechanical data	
Weight [g]	212.5
Dimensions [mm]	121 x 30 x 70
Materials	stainless steel (316L/1.4404)
Accessories	
Items supplied	cylinder screws: 2 x (M5 x 35 mm)
	Nuts: 2
	washers: 2
	cylinder screws: 2 x (M4 x 45 mm)
	Nuts: 2
	washers: 2
Remarks	
Pack quantity	1 pcs.