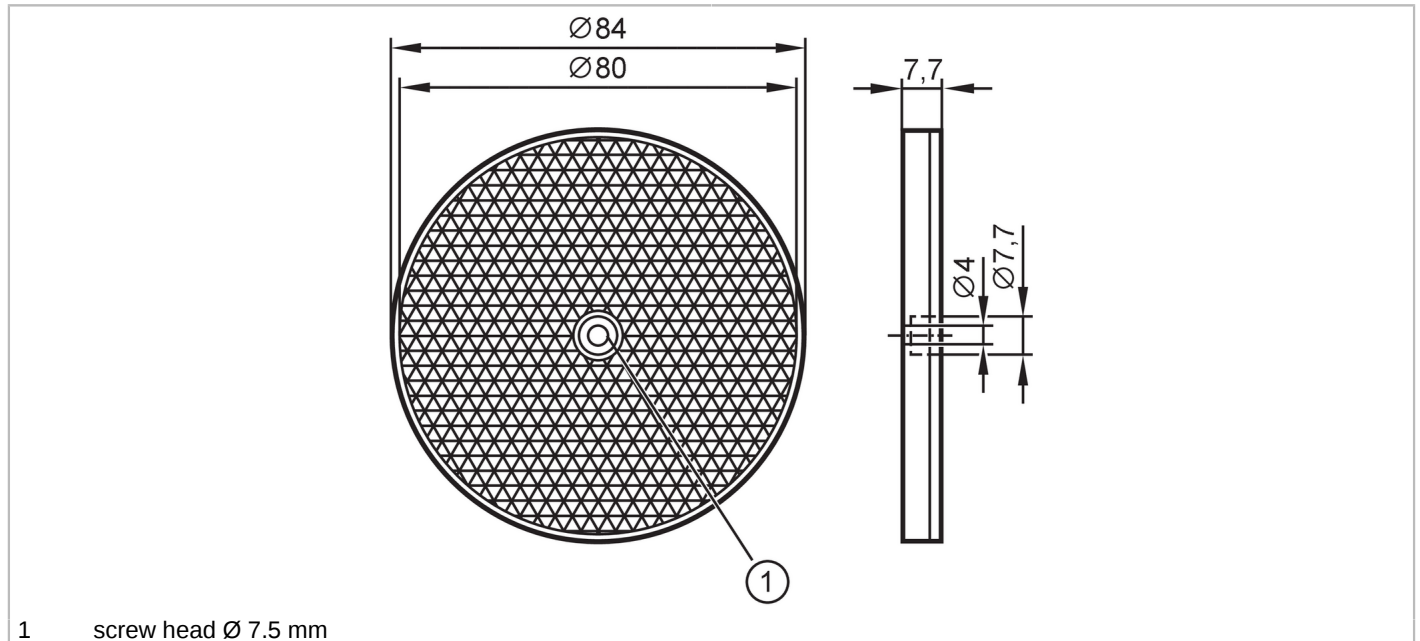


E20005



Reflector for retro-reflective sensors

REFLECTOR TS-80



Application

Design round, for red light and infrared light retro-reflective sensors

Operating conditions

Ambient temperature [$^{\circ}$ C] -10...60

Mechanical data

Weight [g] 30.9
Dimensions [mm] \varnothing 84 / L = 7.7
Reflector surface [mm] \varnothing 80
Materials plastics

Remarks

Pack quantity 1 pcs.

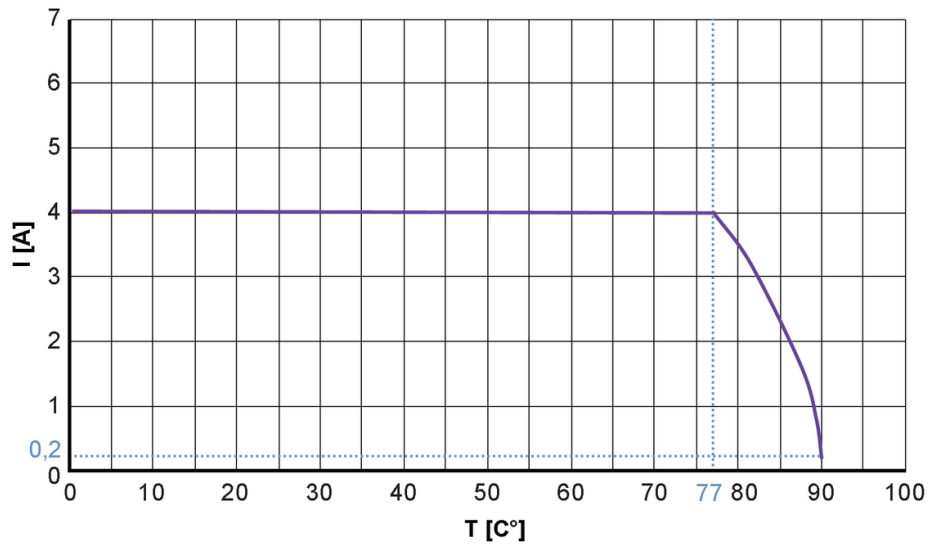


Reflector for retro-reflective sensors

REFLECTOR TS-80

Diagrams and graphs

characteristic line for derating



Derating $I_{max} * 0.8$ (DIN EN 60512-5-2)

T Ambient temperature [°C]

I Current [A]