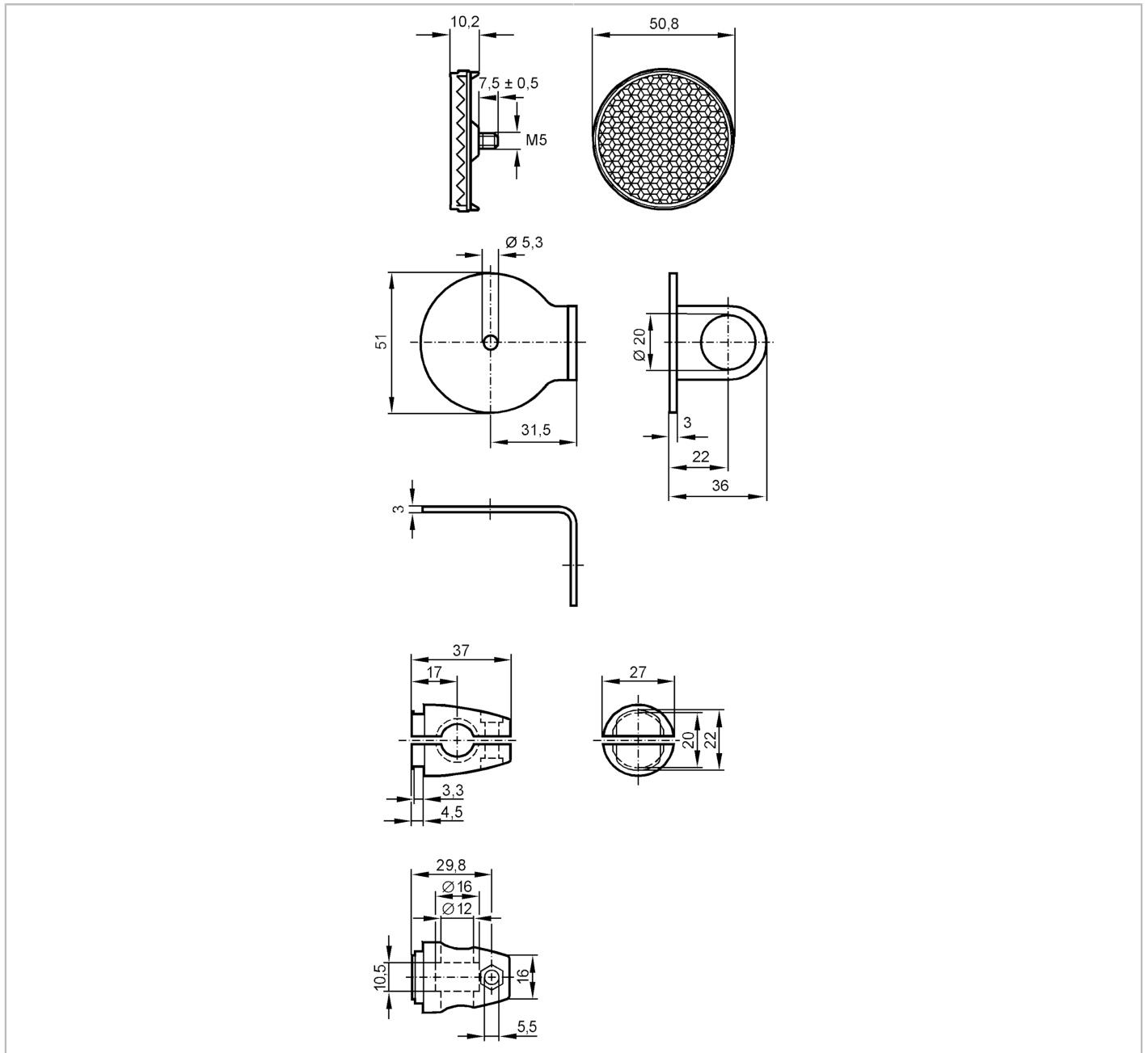




## Mounting set for reflectors

SYSTEM COMPONENT REFLECTOR



Application	
Design	clamp mounting, for reflector, Ø 50 mm
Mechanical data	
Weight [g]	235.5
Type of mounting	free-standing; (M10)
Materials	fixture: stainless steel (316Ti/1.4571); Clamp: diecast zinc
Accessories	
Items supplied	head cap screw: 1 x (M10 x 55 mm)
Remarks	
Pack quantity	1 pcs.