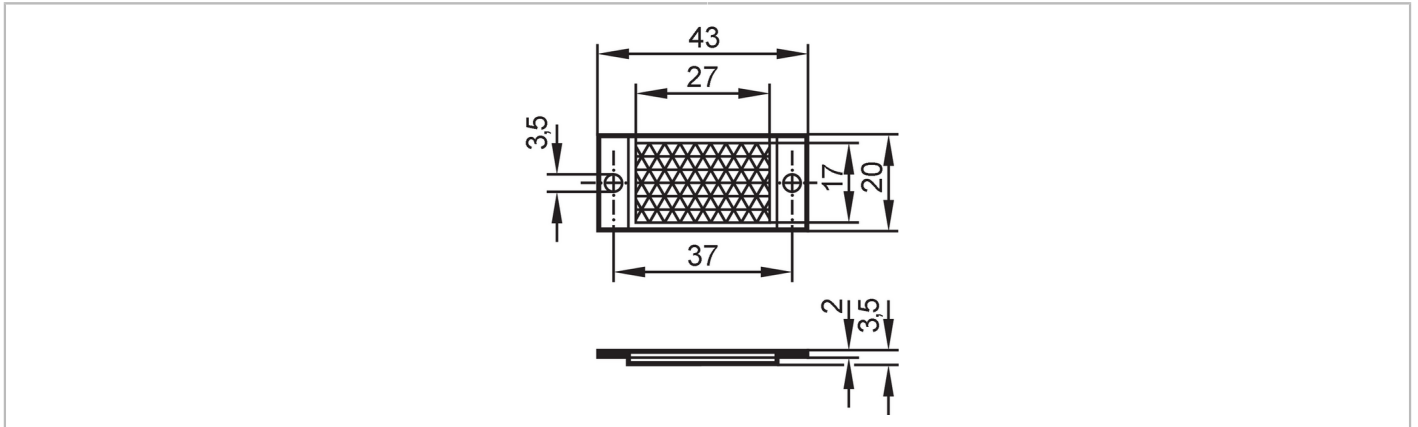


E20994



Reflector for retro-reflective sensors

REFLECTOR TS-30X20



Application

Design rectangular, for retro-reflective laser sensors

Operating conditions

Ambient temperature [°C] -10...60

Mechanical data

Weight [g] 4

Dimensions [mm] 20 x 43 x 3.5

Reflector surface [mm] 27 x 17

Materials front panel: PMMA; base: ABS

Remarks

Pack quantity 1 pcs.