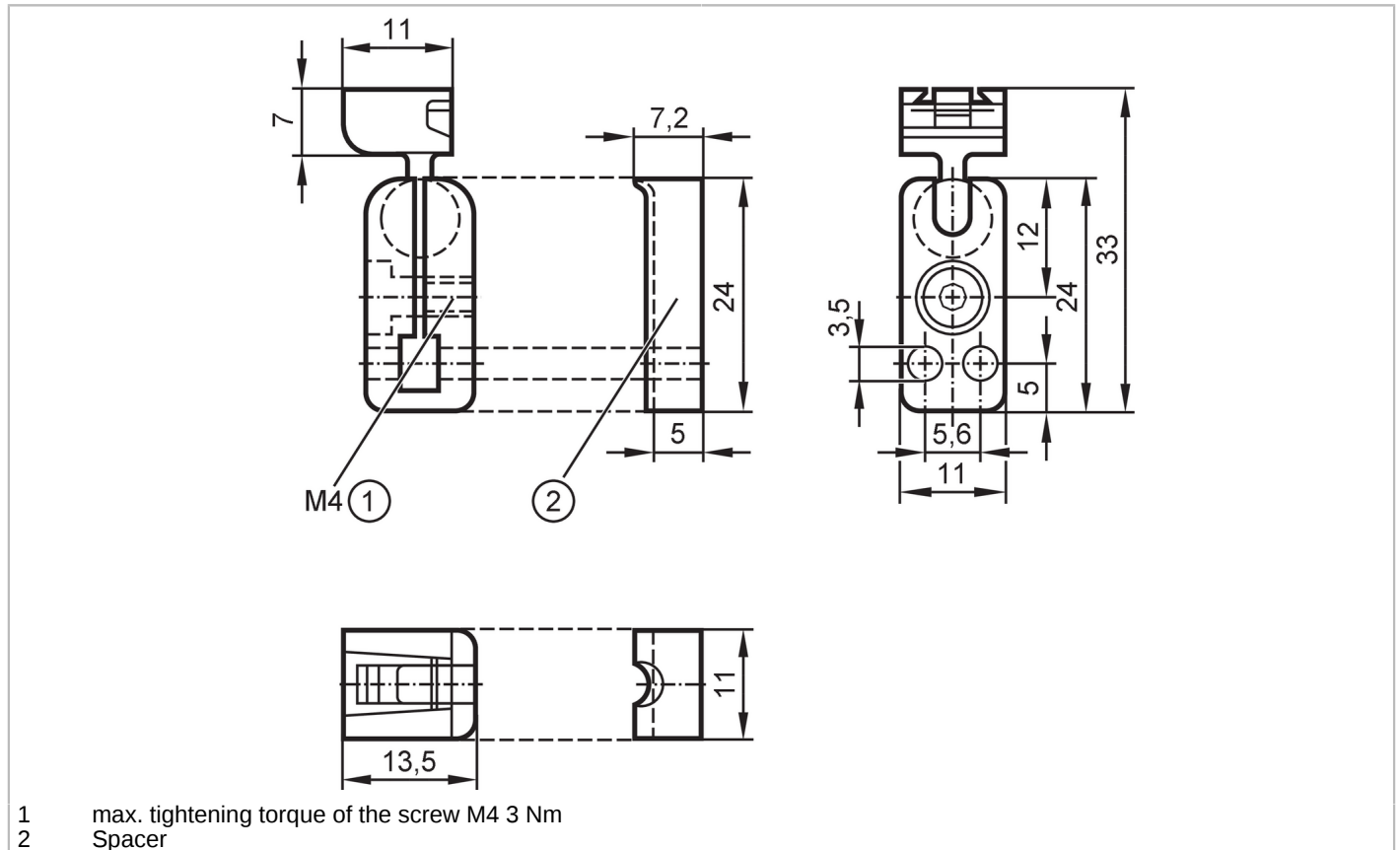


E20974



Swivel-mount clip

SYSTEM COMPONENT OJ BALL



Application	
Design	for types OJ
Mechanical data	
Weight [g]	41.5
Materials	diecast zinc
Remarks	
Pack quantity	1 pcs.