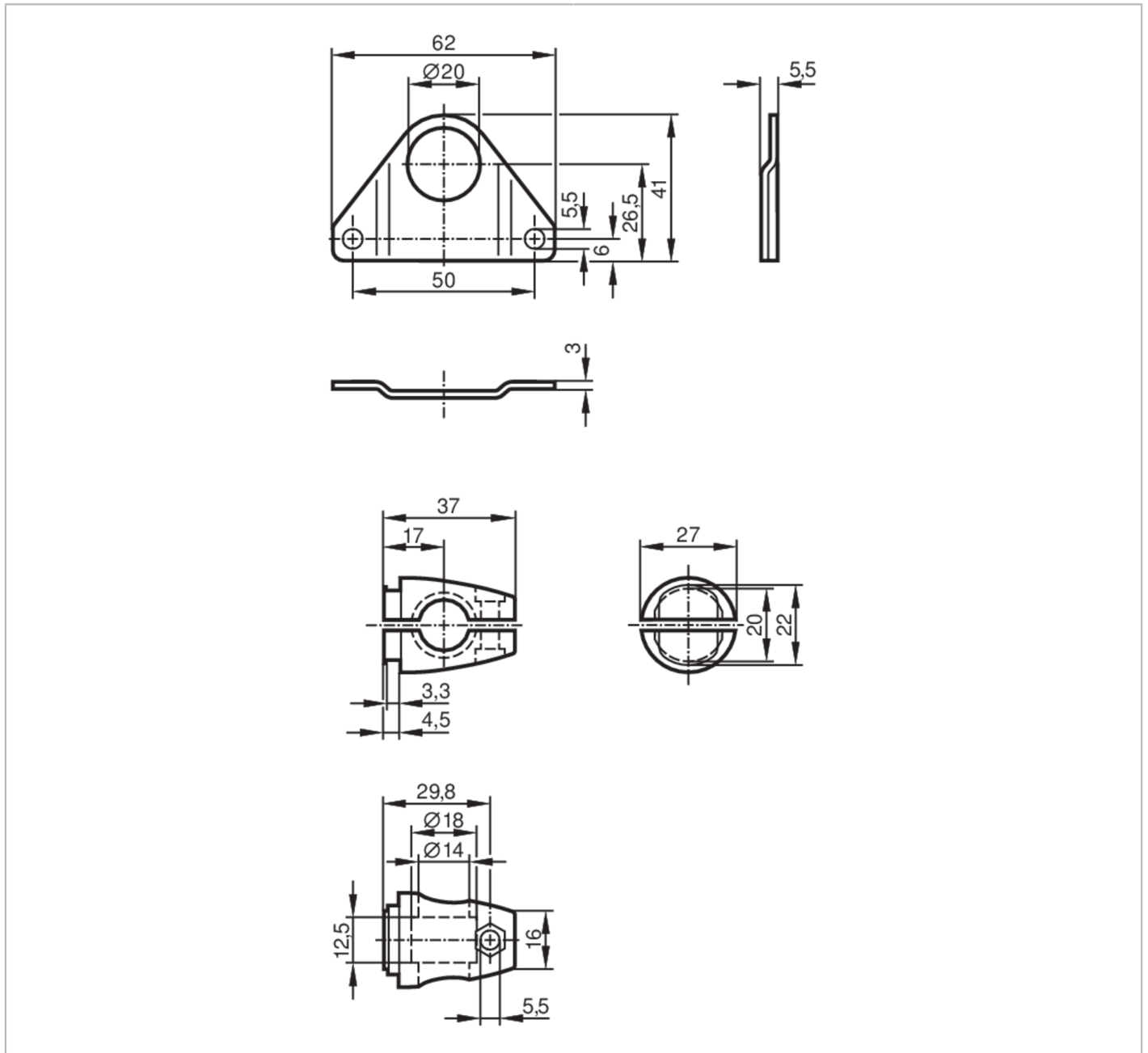


E20790



Mounting set for photoelectric sensors

MOUNTING SET OL SMALL ROD



Application	
Design	clamp mounting
Mechanical data	
Weight [g]	133
Type of mounting	Mounting rod; ($\varnothing 14$ mm)
Materials	fixture: stainless steel (1.4305 / 303); Clamp: diecast zinc
Remarks	
Pack quantity	1 pcs.