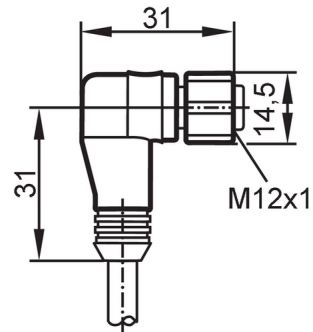


E18017



Connecting cable with socket

ADOAH040VAS0005E04



Application	
Special feature	Gold-plated contacts
Application	Industrial applications / factory automation
Electrical data	
Operating voltage [V]	< 300 AC/DC
Operating conditions	
Ambient temperature [°C]	-10...100
Protection	IP 68
Mechanical data	
Weight [g]	181.437
Dimensions [mm]	31 x 14.5 x 31
Moulded-body material	PVC
Material nut	stainless steel (316Ti/1.4571)
Remarks	
Pack quantity	1 pcs.
Electrical connection	
Cable: 5 m, PVC, black; 4 x 0.34 mm ² / AWG 22	
Electrical connection - socket	
Connector: 1 x M12, angled; coding: A; Contacts: 4, gold-plated; Moulded body: PVC; Locking: stainless steel (316Ti/1.4571)	

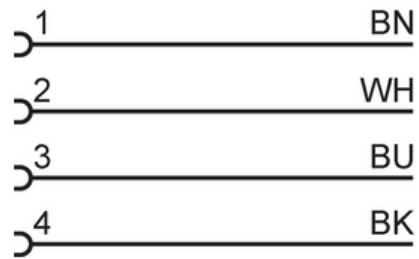
E18017



Connecting cable with socket

ADOAH040VAS0005E04

Connection



Core colours :
BK = black
BN = brown
BU = blue
WH = white