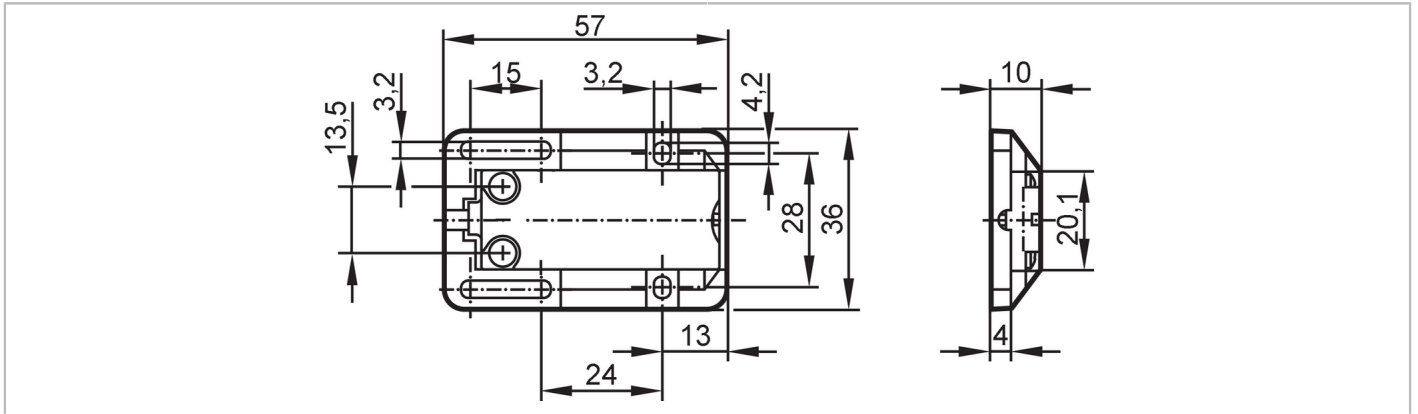


E12153



Mounting adapter for free-standing mounting of capacitive sensors

SURFACE MOUNT ACCESSORY FOR KQ



Mechanical data

Weight	[g]	8.3
Materials	Adapter: PBT; inserts: brass; screw: steel galvanised	
Tightening torque	[Nm]	0.5

Remarks

Remarks	position of fixing holes compatible with types KW and KNQ	
Pack quantity	1 pcs.	