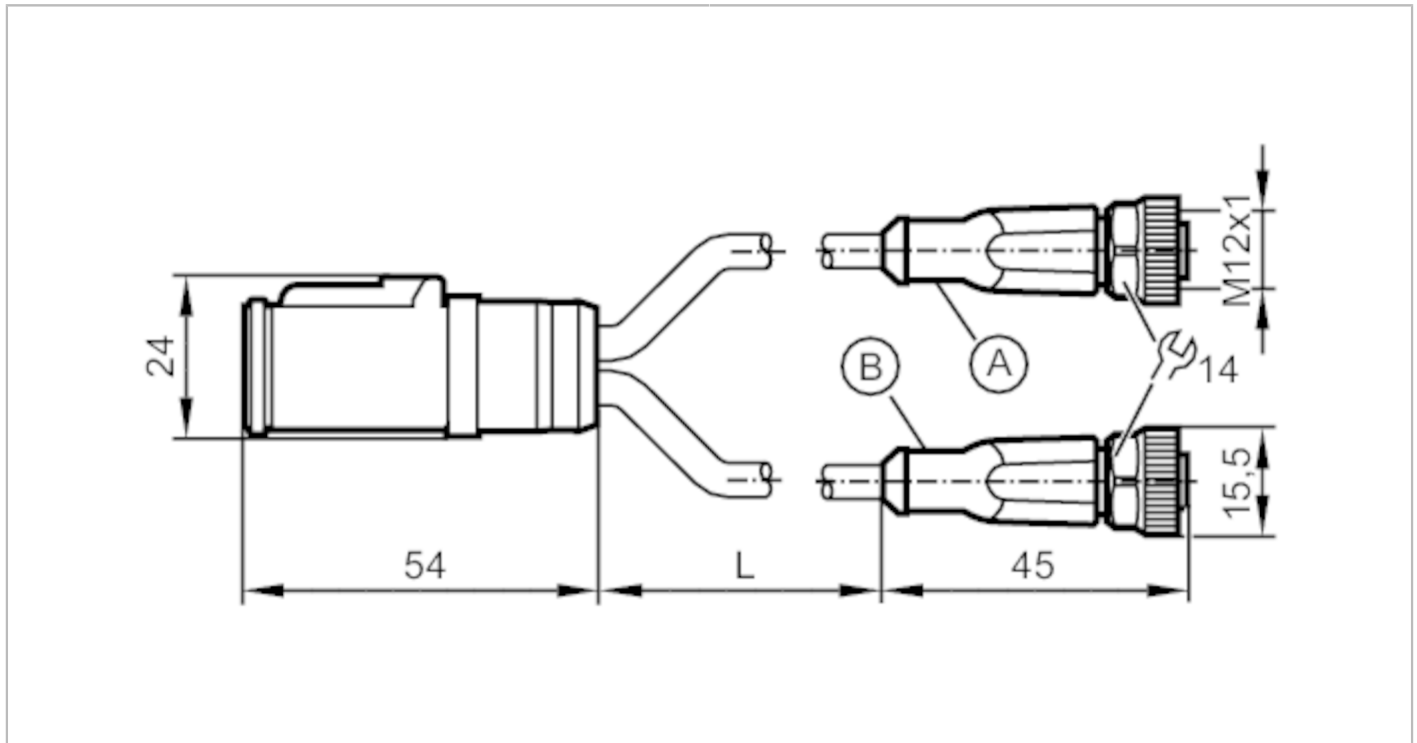


# E12562



## Y connection cable

YDOGS060PLS0002H03DOGH030MSS



Application		
Special feature	Free from silicone; Halogen-free; Drag chain suitability	
Free from silicone	yes	
Electrical data		
Operating voltage [V]	8...32 DC	
Protection class	III	
Max. current load total [A]	4	
Operating conditions		
Ambient temperature [°C]	-40...80	
Ambient temperature (moving) [°C]	-20...80	
Protection	IP 67; (mating connector plugged in)	
Mechanical data		
Weight [g]	213.8	
Materials	PA; socket: TPU orange; Sealing: FKM	
Material nut	brass, nickel-plated	
Number of ports splitter box	2	
Drag chain suitability	yes	
Drag chain suitability	bending radius for flexible use	min. 10 x cable diameter
	travel speed	max. 3.3 m/s for a horizontal travel length of 5 m and max. acceleration of 5 m/s <sup>2</sup>
	bending cycles	> 5 Mio.
	torsional strain	± 180 °/m

# E12562



## Y connection cable

YDOGS060PLS0002H03DOGH030MSS

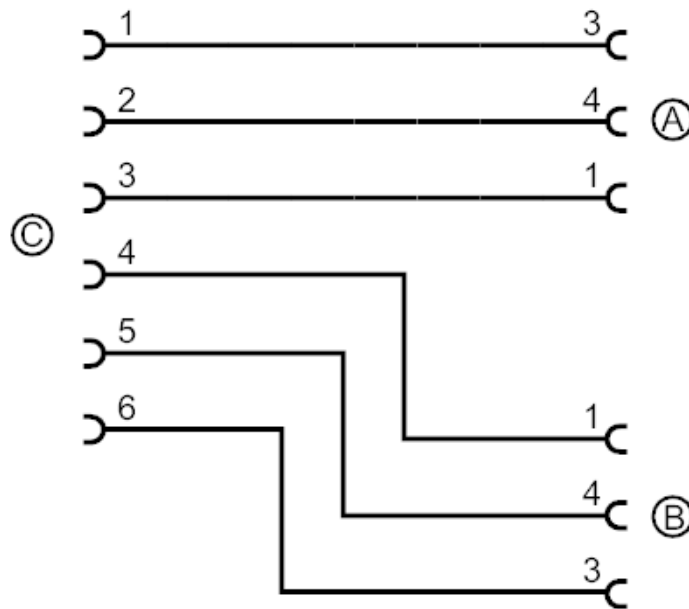
### Remarks

Pack quantity 1 pcs.

### Electrical connection

Cable: 2 m, PUR, Halogen-free, black, Ø 5.4 mm; 3 x 0.50 mm<sup>2</sup> (28 x Ø 0.15 mm )

### Connection



### Electrical connection - DEUTSCH connector



### Electrical connection - socket

Connector: 1 x DEUTSCH connector; Locking: brass, nickel-plated; Tightening torque: 0.6...1.5 Nm

Connector: 2 x M12; Locking: brass, nickel-plated; Tightening torque: 0.6...1.5 Nm

