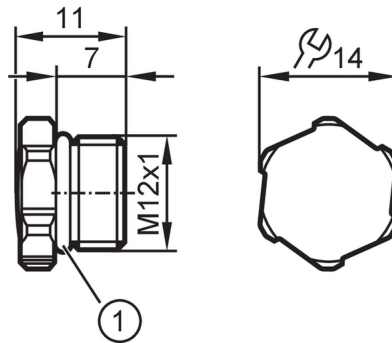


E12542



Protective cap

Protective cap M12 V4A 4pcs.



1: O-ring

Application

Design	for M12 socket to cover the unused inputs and outputs on the module
Application	Use in wet areas and in the food industry
Installation	Use only with protection class III devices

Operating conditions

Ambient temperature	[°C]	-25...100
---------------------	------	-----------

Mechanical data

Weight	[g]	27.3
Dimensions	[mm]	M12 x 1
Thread designation		M12 x 1
Materials		end caps: stainless steel (316L/1.4404); Sealing: EPDM
Tightening torque	[Nm]	0.6; (Take into account the maximum value of the counterpart!)

Remarks

Pack quantity	4 pcs.
---------------	--------