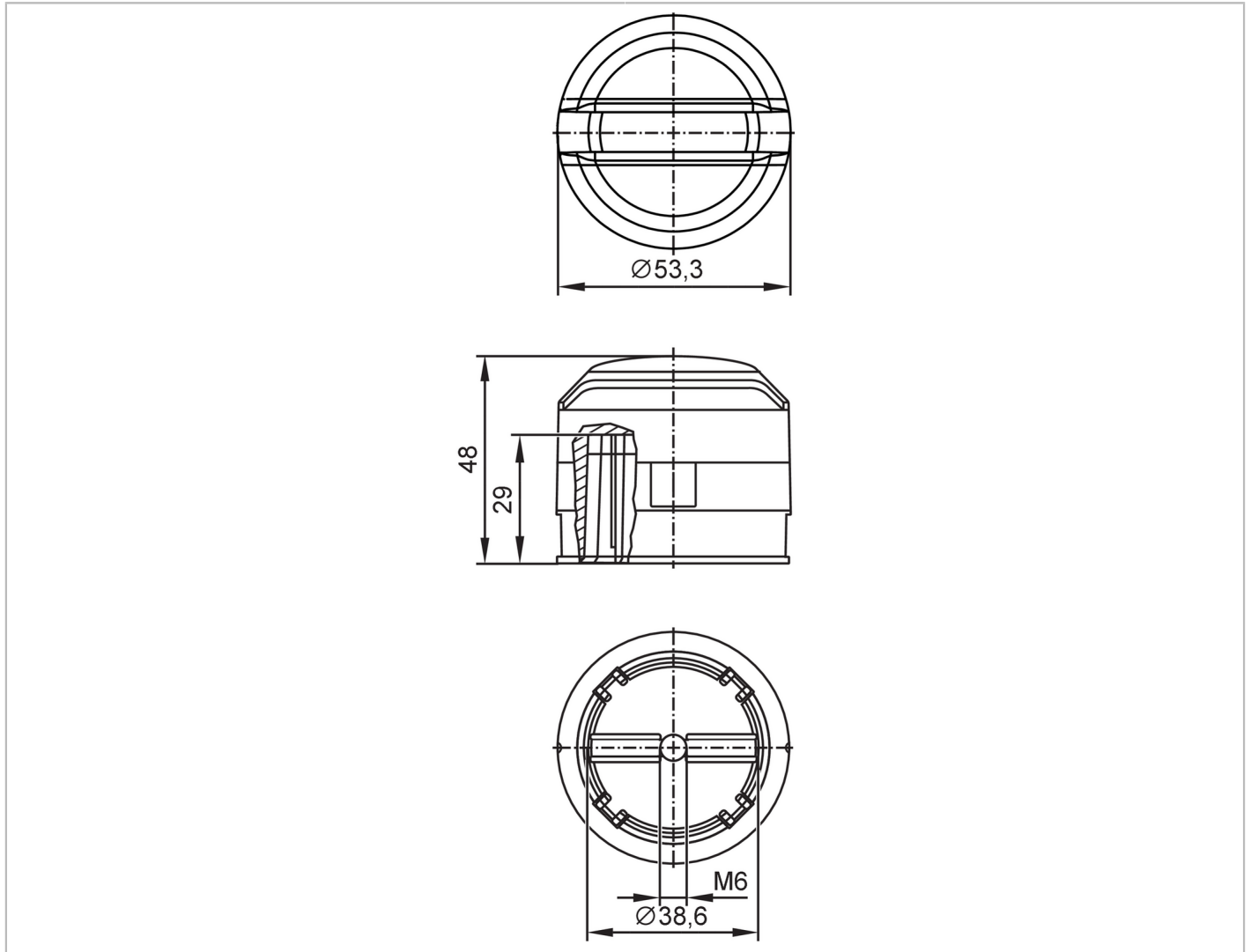


E12517



Target puck for valve actuators

PUCK 53MM BASIC



Application	
Design	for mechanical interfaces to pneumatic actuators or manually-operated valves VDI / VDE 3845, ISO 5211 / DIN 3337
Mechanical data	
Weight [g]	60.5
Target puck diameter [mm]	53
Hole spacing [mm]	80
Shaft height of valve drive [mm]	30
Materials	target puck: PA 6 black; metal parts: stainless steel
Tightening torque [Nm]	2.5...3
Accessories	
Items supplied	half-round head screw: 1 x (M6 x 16 mm), stainless steel
Remarks	
Pack quantity	1 pcs.

E12517

Target puck for valve actuators

PUCK 53MM BASIC



Diagrams and graphs

Installation

