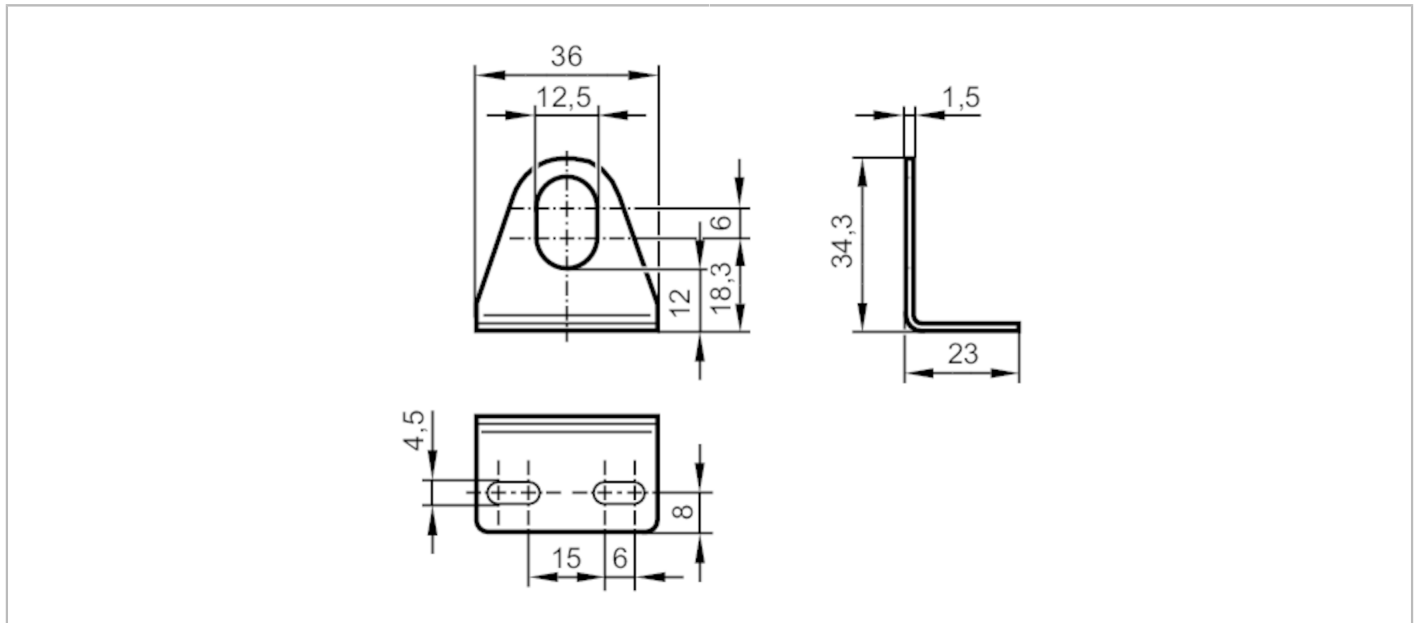


# E12488



## Angle bracket

ANGLE BRACKET M12 / K1



CE

Application	
Design	for type M12
Mechanical data	
Weight [g]	19.1
Dimensions [mm]	34.3 x 36 x 23
Materials	stainless steel (1.4301 / 304)
Accessories	
Items supplied	lock washers: 2 x Ø 12 mm, for M12 sensor
Remarks	
Pack quantity	1 pcs.