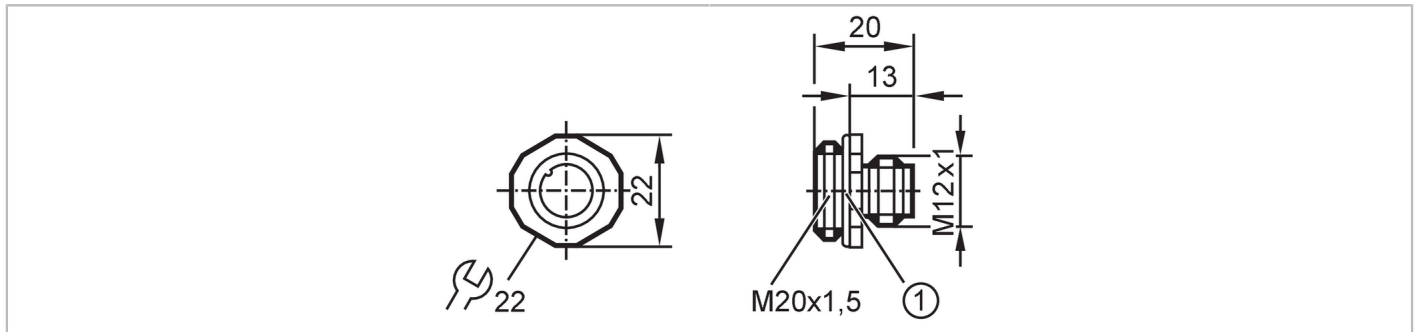


E11295



Adapter plug

ESTGH040MSS0,12E04 (M20)



Application

Application: Industrial applications / factory automation

Electrical data

Operating voltage [V]: < 45 AC / < 70 DC

Operating conditions

Ambient temperature [°C]: -25...85

Protection: IP 68

Mechanical data

Weight [g]: 19.6

Mounting thread: M20

Materials: housing: brass nickel-plated

Remarks

Pack quantity: 1 pcs.

Electrical connection

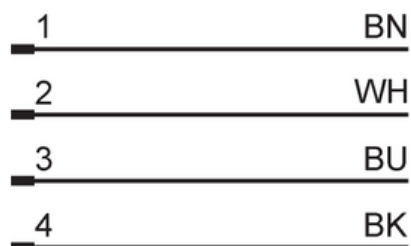
Cable: 0.12 m, PVC; 4 x 0.25 mm²

Electrical connection - plug

Connector: 1 x M12, straight; coding: A; Contacts: 4



Connection



Core colours :
 BK = black
 BN = brown
 BU = blue
 WH = white