

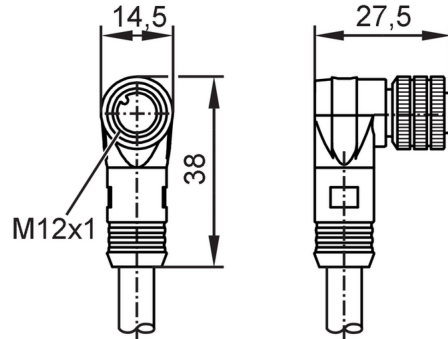
E11231



Connecting cable with socket

ADOAH080MSS0002H08

For 8-pole sockets the core colours are not standardised.
Please note the wiring of the sensor and the sockets (see data sheet).



Application	
Special feature	Free from silicone; Gold-plated contacts
Application	Industrial applications / factory automation
Free from silicone	yes
Electrical data	
Operating voltage [V]	< 30 AC / < 36 DC
Protection class	III
Max. current load total [A]	2; (...40 °C)
Operating conditions	
Ambient temperature [°C]	-25...80
Protection	IP 67
Mechanical data	
Weight [g]	170.46
Dimensions [mm]	27.5 x 14.5 x 38
Moulded-body material	PUR
Material nut	brass, nickel-plated
Remarks	
Pack quantity	1 pcs.
Electrical connection	
Cable: 2 m, PUR, black, Ø 6.8 mm; 8 x 0.25 mm ²	
Electrical connection - socket	
Connector: 1 x M12, angled; coding: A; Contacts: 8, gold-plated; Moulded body: PUR; Locking: brass, nickel-plated; Tightening torque: 0.7...0.9 Nm	

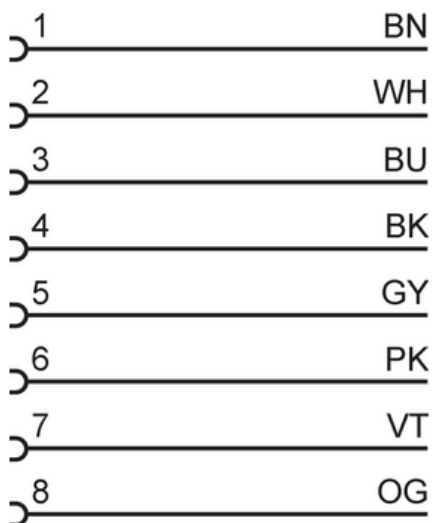
E11231



Connecting cable with socket

ADOAH080MSS0002H08

Connection



colours to DIN EN 60947-5-2

Core colours :

BK =	black
BN =	brown
BU =	blue
GY =	grey
PK =	pink
OG =	orange
VT =	lilac
WH =	white