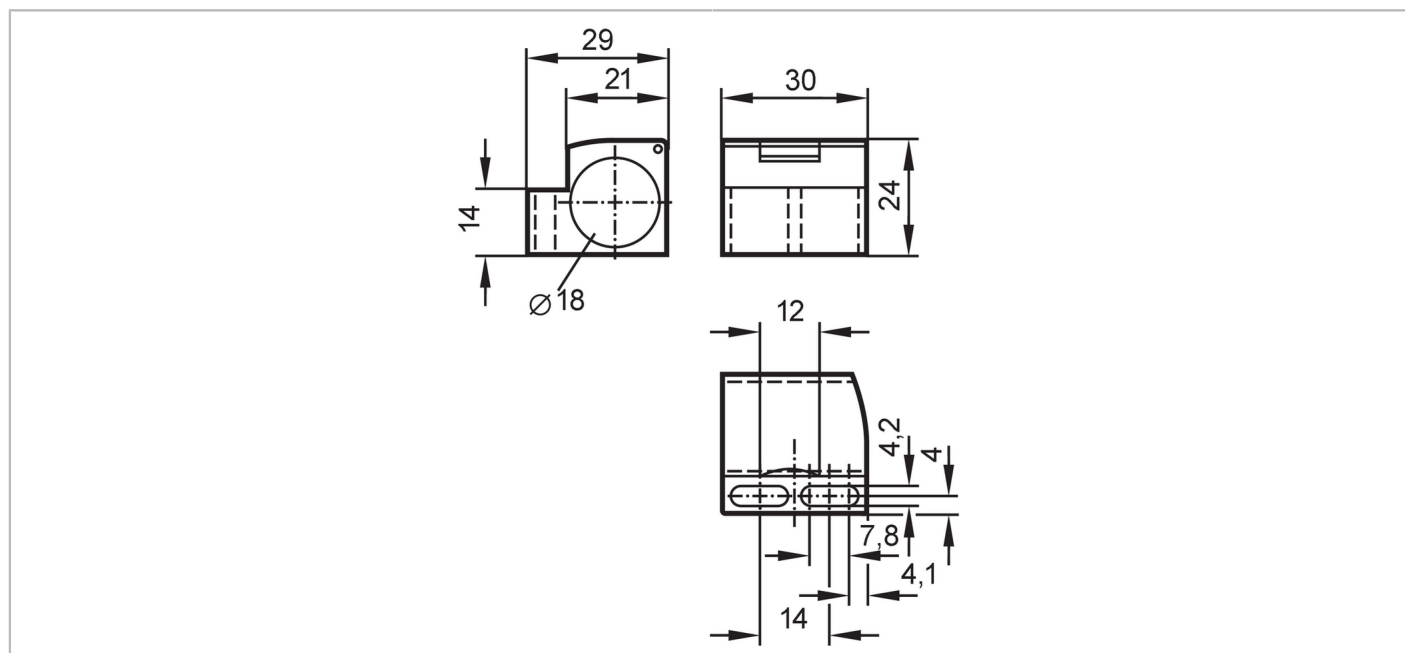


E11048



Mounting clamp for position sensors

MOUNTING CLAMP M18



Application		
Design		with end stop
Operating conditions		
Ambient temperature	[°C]	-25...85
Mechanical data		
Weight	[g]	12.6
Dimensions	[mm]	24 x 30 x 29
Inside diameter	[mm]	18
Materials		PC
Remarks		
Pack quantity		1 pcs.