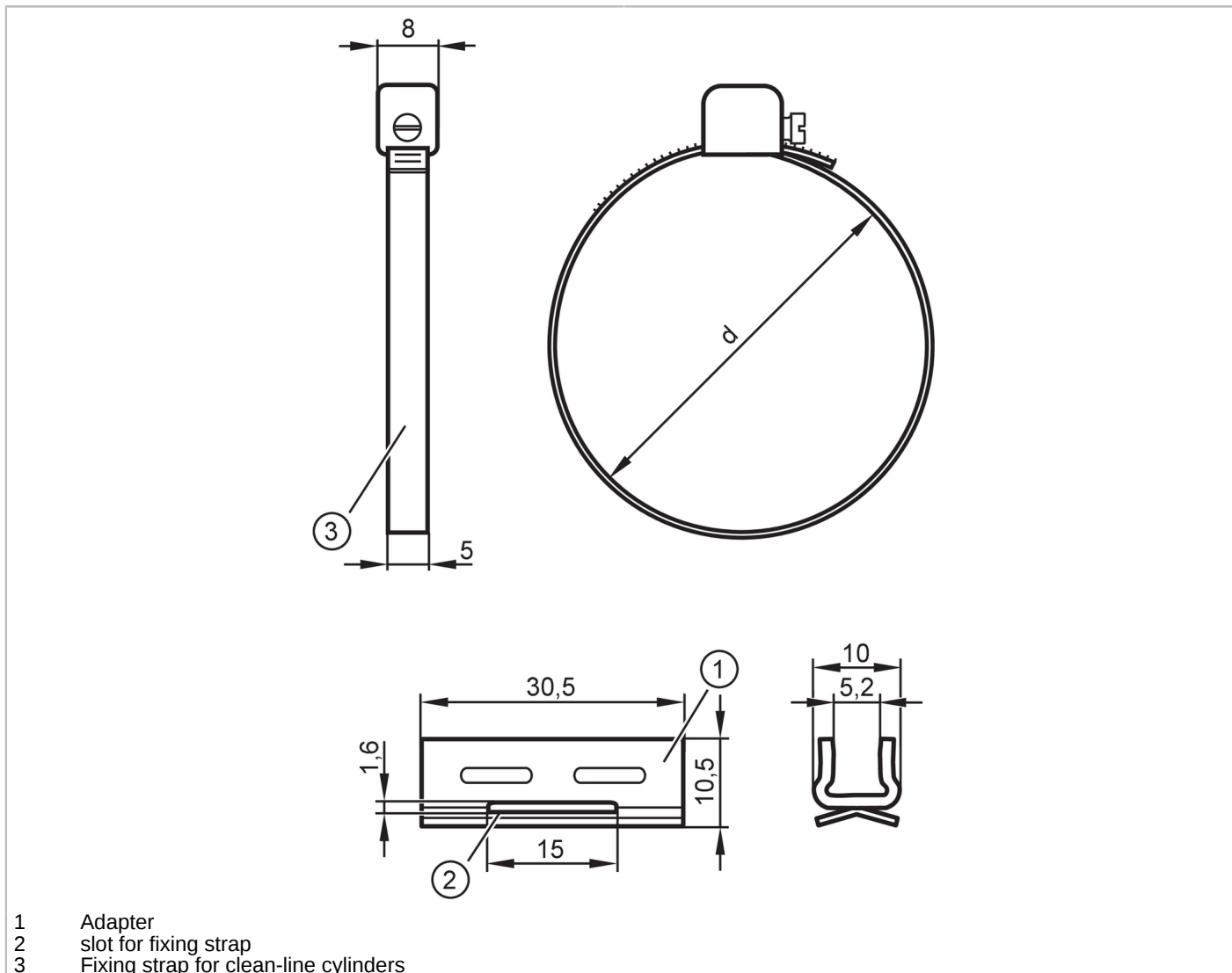


E11981



Fixing strap for clean-line cylinders

FIXING STRAP CLEAN-LINE CYL



Application	
Design	for types MKT
Mechanical data	
Weight	[g] 18.7
Dimensions	[mm] \varnothing 80
Materials	Adapter: stainless steel (304/1.4301); fixing strap: stainless steel (303/1.4305)
Piston diameter	[mm] 80
Clamping range	[mm] 78...89
Accessories	
Items supplied	Adapter: 1 x for types MKT Fixing strap for clean-line cylinders: 1
Remarks	
Pack quantity	1 pcs.