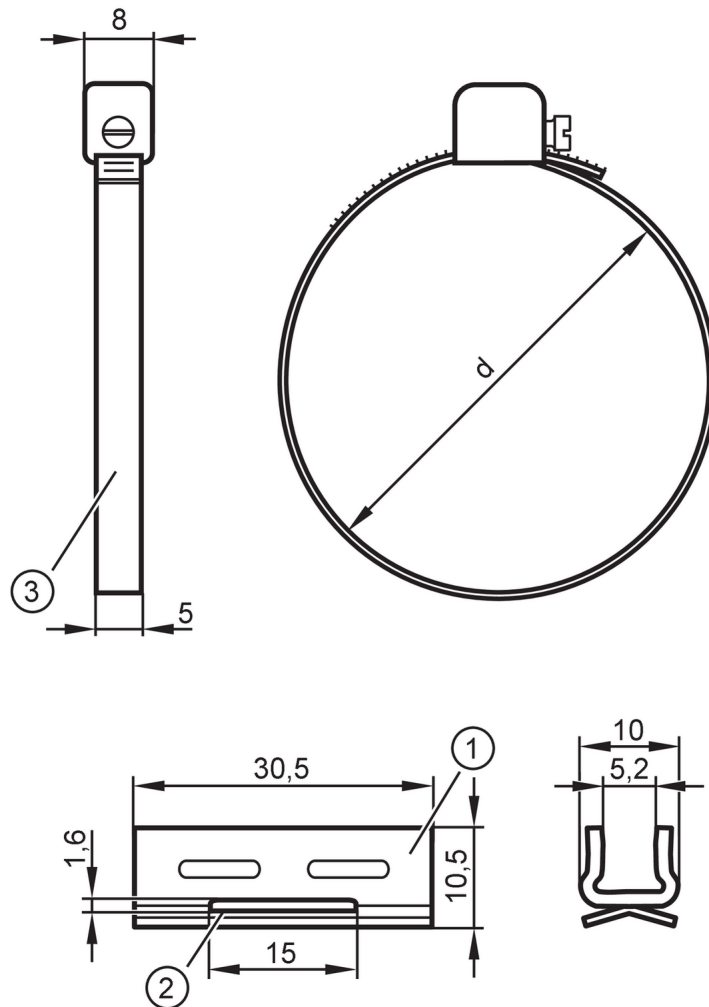


E11975



Fixing strap for clean-line cylinders

FIXING STRAP CLEAN-LINE CYL



- 1 Adapter
- 2 slot for fixing strap
- 3 Fixing strap for clean-line cylinders

Application	
Design	for types MKT
Mechanical data	
Weight [g]	15.1
Dimensions [mm]	Ø 10
Materials	Adapter: stainless steel (304/1.4301); fixing strap: stainless steel (303/1.4305)
Piston diameter [mm]	10...16
Clamping range [mm]	11...19
Accessories	
Items supplied	Adapter: 1 x for types MKT Fixing strap for clean-line cylinders: 1
Remarks	
Pack quantity	1 pcs.