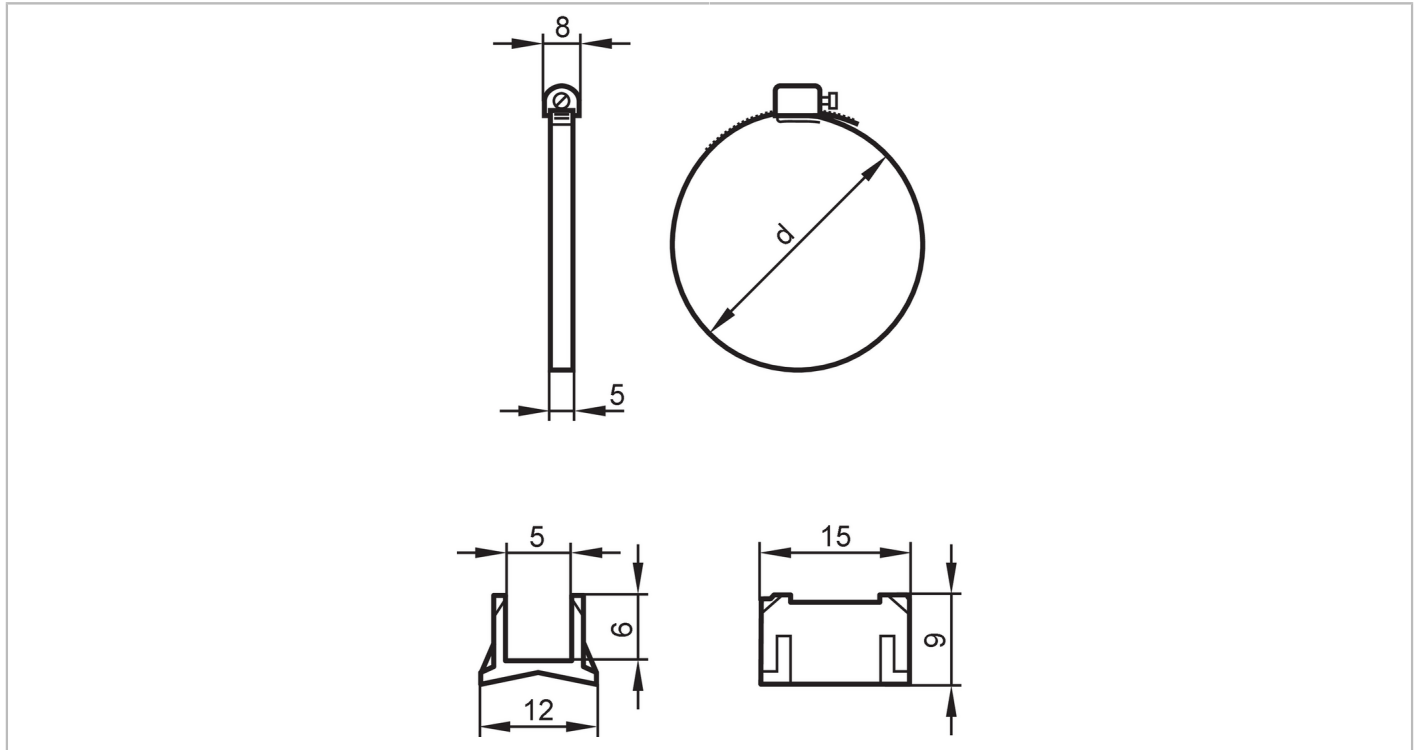


# E11818



## Fixing strap for clean-line cylinders

FIXING STRAP CLEAN-LINE CYL



Application	
Design	for types MKT
Mechanical data	
Weight [g]	6.8
Dimensions [mm]	Ø 25
Materials	Adapter: PA; fixing strap: stainless steel (303/1.4305)
Piston diameter [mm]	25...32
Clamping range [mm]	28...39
Accessories	
Items supplied	Adapter: 1 x for types MKT Fixing strap for clean-line cylinders: 1
Remarks	
Pack quantity	1 pcs.