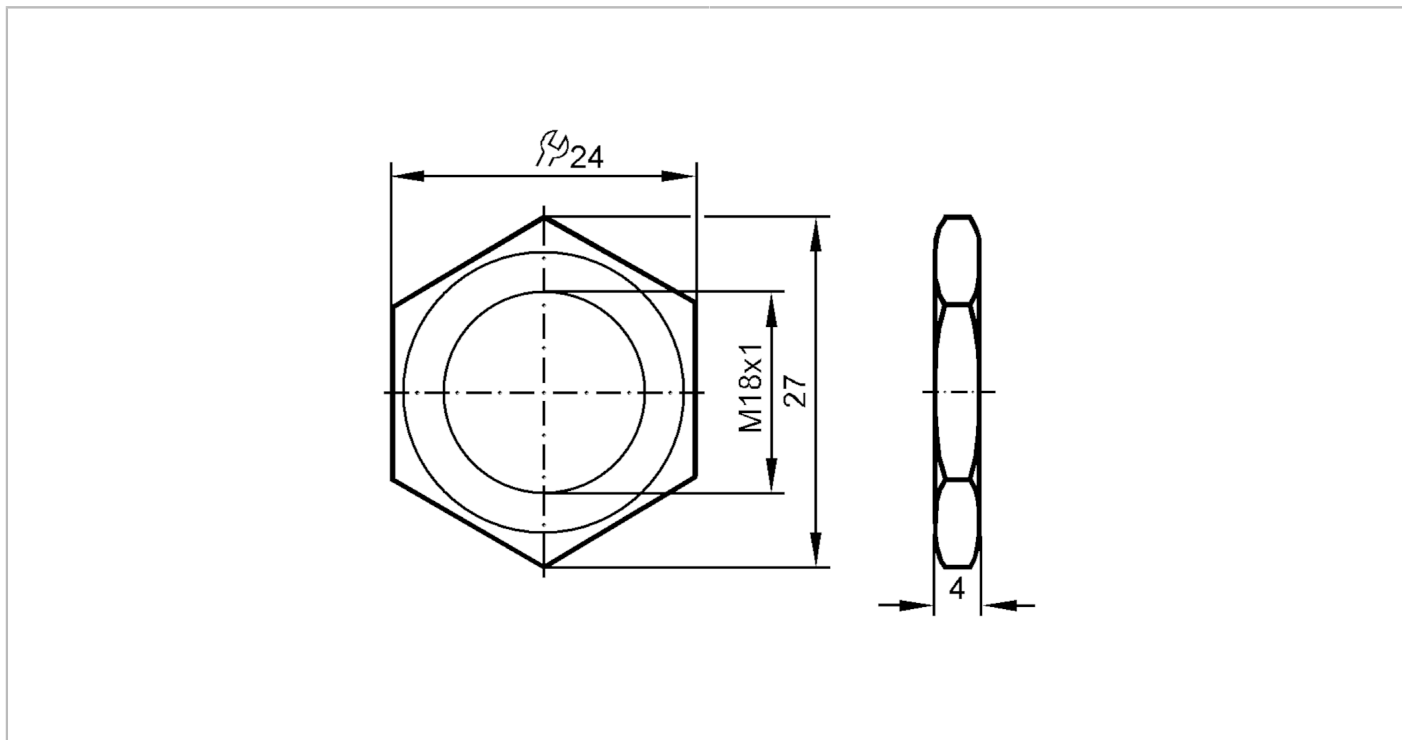


E10028



Hexagon nut

NUT M18X1 V4A 2 PIECES



Mechanical data	
Weight	[g] 16.9
Dimensions	[mm] M18 x 1
Thread designation	M18 x 1
Materials	stainless steel (316Ti/1.4571)
Remarks	
Pack quantity	2 pcs.