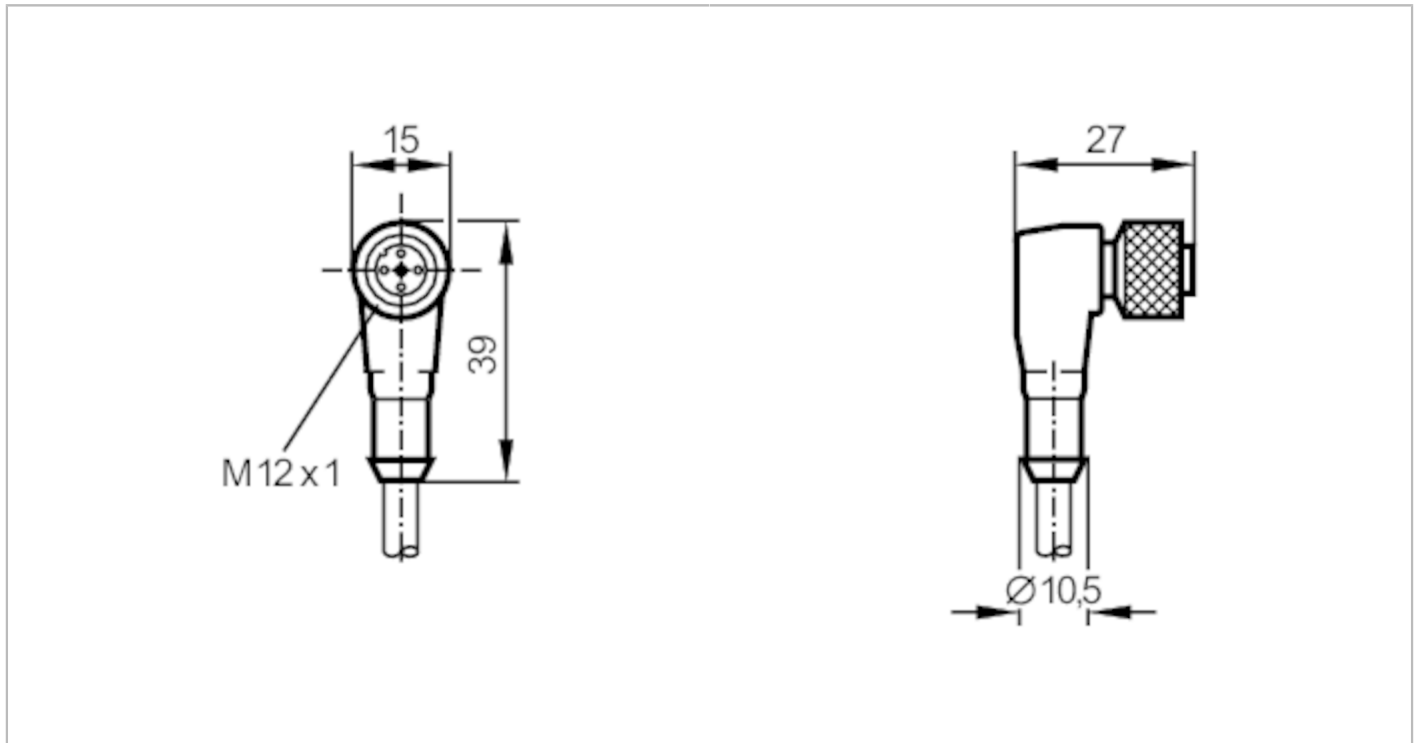


# E10865



## Connecting cable with socket

ADOAH030MSS0002E03



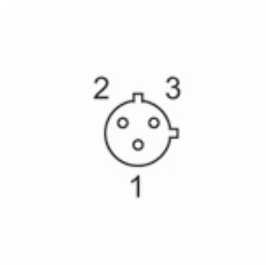
Electrical data	
Operating voltage	[V] < 250 AC / < 300 DC
Operating conditions	
Ambient temperature	[°C] -25...90
Protection	IP 67
Mechanical data	
Weight	[g] 90.1
Dimensions	[mm] 27 x 15 x 39
Materials	TPU
Moulded-body material	TPU
Material nut	brass, nickel-plated
Remarks	
Pack quantity	1 pcs.
Electrical connection	
Cable: 2 m, PVC, orange, Ø 5 mm; 3 x 0.34 mm <sup>2</sup> (19 x Ø 0.16 mm) / AWG 22	
Electrical connection - socket	
Connector: 1 x M12, angled; Moulded body: TPU; Locking: brass, nickel-plated; Tightening torque: 0.5 Nm	

# E10865

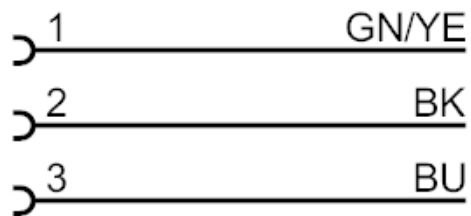


## Connecting cable with socket

ADOAH030MSS0002E03



### Connection



Core colours :

BK = black

BU = blue

GN/YE = green/yellow