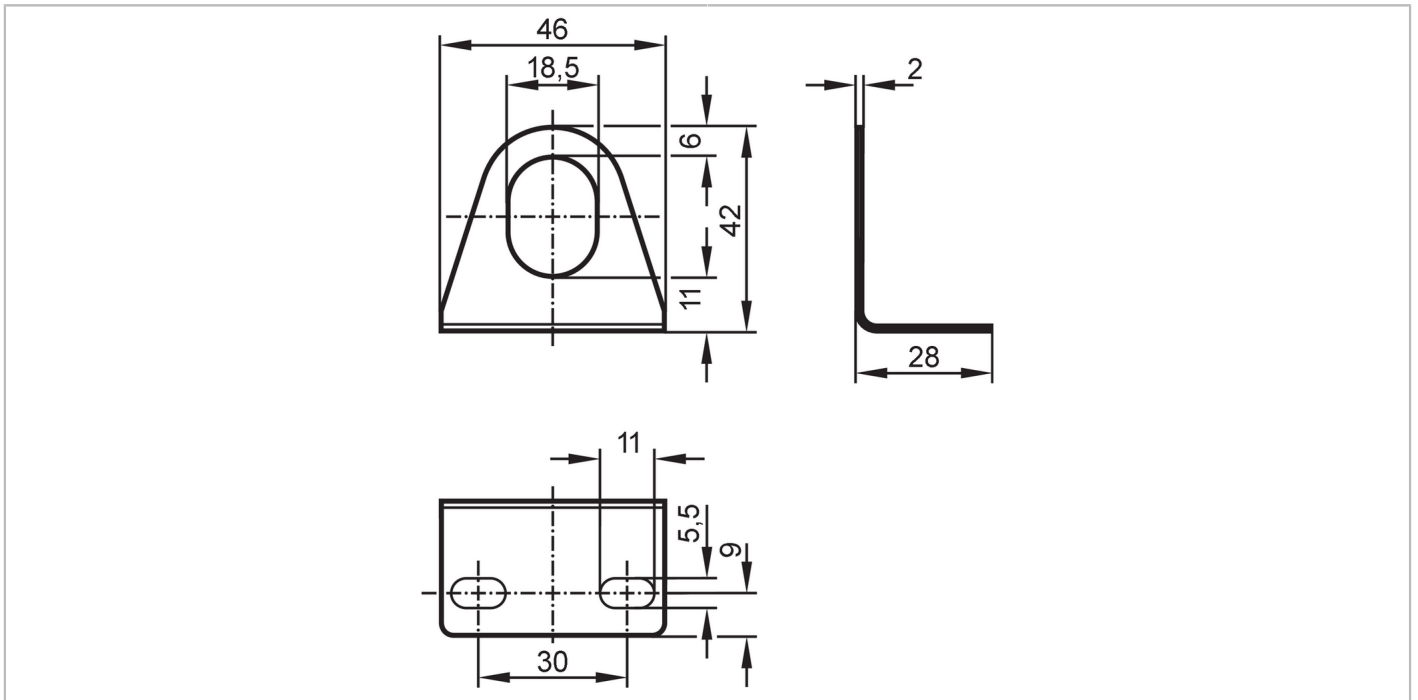


# E10736



## Angle bracket

ANGLE BRACKET M18



### Application

Design for types M18

### Mechanical data

|            |      |                              |
|------------|------|------------------------------|
| Weight     | [g]  | 43                           |
| Dimensions | [mm] | 42 x 48 x 28                 |
| Materials  |      | stainless steel (304/1.4301) |

### Accessories

Items supplied lock washers: 2 x Ø 18 mm, for M18 sensor

### Remarks

Pack quantity 1 pcs.