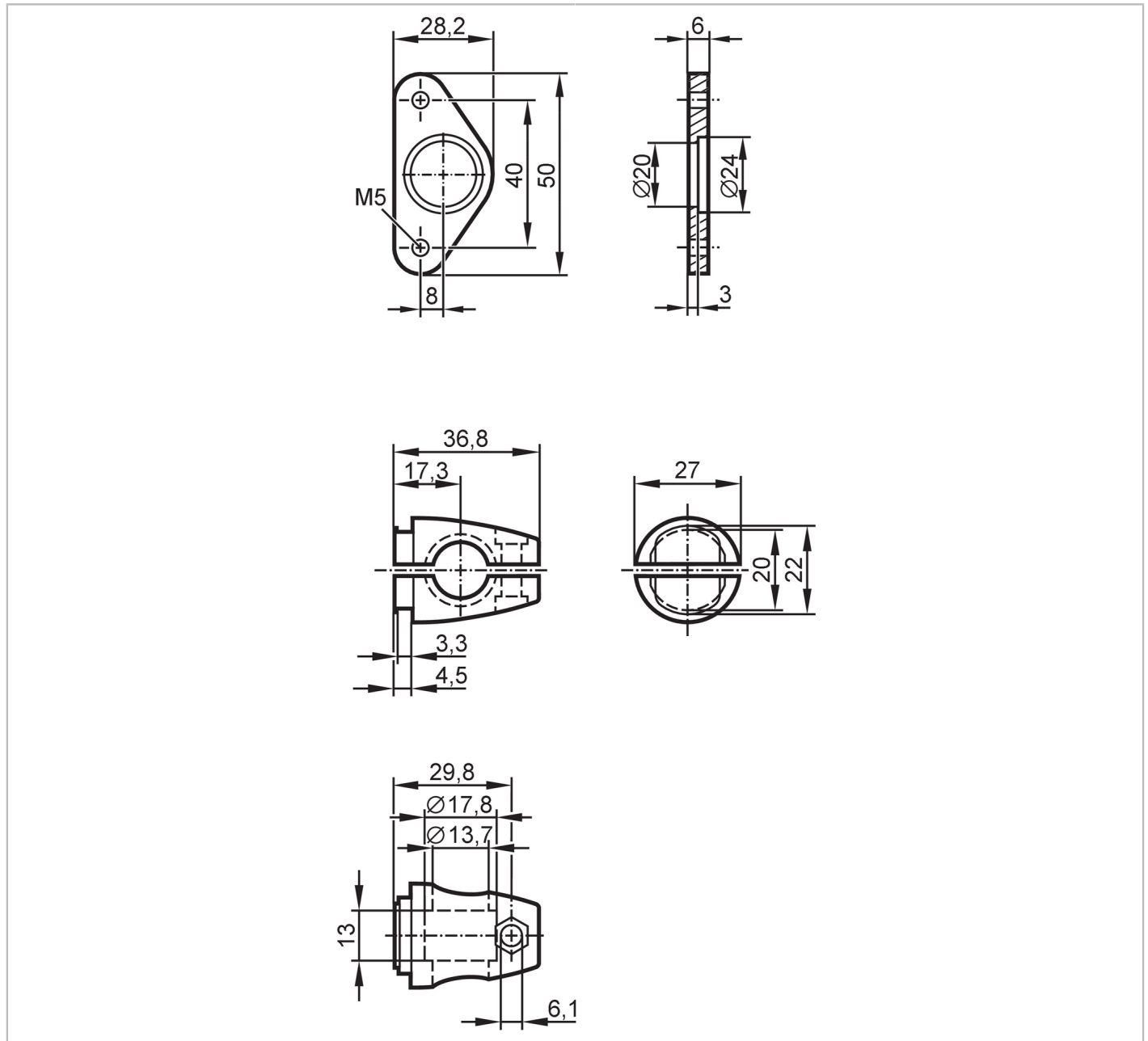


E3D301



Mounting set for 3D sensors

MOUNTING SET SMART CAM



Application	
Design	clamp mounting, for types, O3D
Mechanical data	
Weight [g]	151
Type of mounting	Mounting rod; (Ø 14 mm)
Materials	fixture: stainless steel (304/1.4301); Clamp: stainless steel (1.4408)
Accessories	
Items supplied	cylinder screws: 2
Remarks	
Pack quantity	1 pcs.