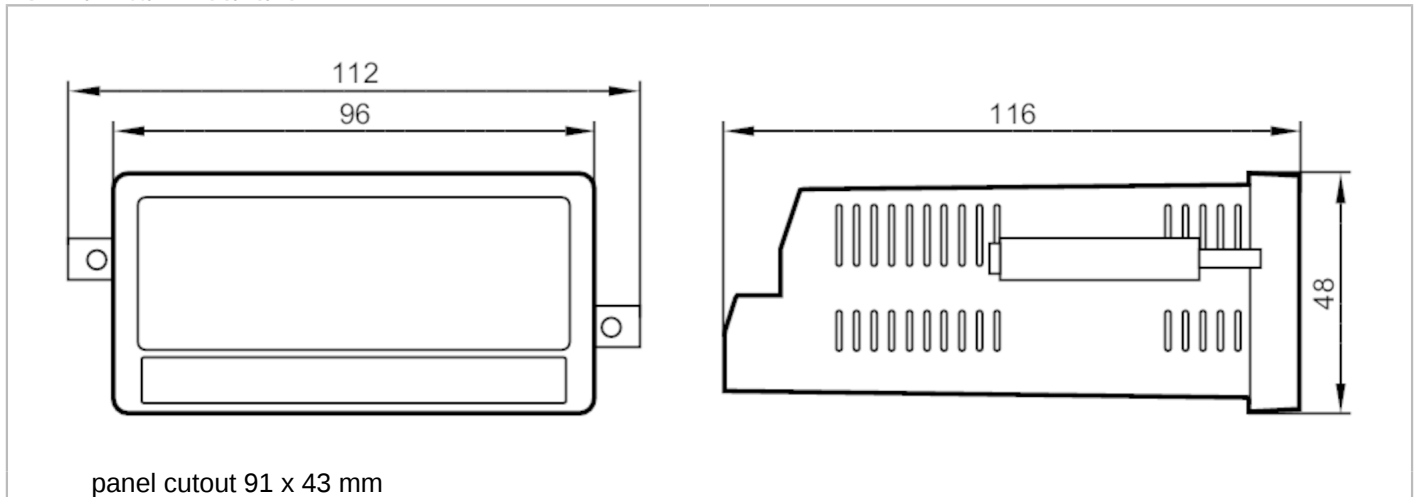


# DX2043



## Multifunction display for monitoring analogue standard signals

DISPLAY/AX460/ANALOG/AC/DC



Application	
Application	displaying and monitoring analogue signals; e.g. pressure sensors, temperature sensors or flow sensors
Electrical data	
Frequency AC [Hz]	50...60
Operating voltage [V]	115...230 AC / 18...30 DC
Current consumption [mA]	100
Power consumption [W]	3
Inputs / outputs	
Number of inputs and outputs	Number of analogue inputs: 2; Number of digital outputs: 4; Number of analogue outputs: 1
Inputs	
Number of analogue inputs	2
Outputs	
Number of digital outputs	4
Max. current load per output [mA]	200
Number of analogue outputs	1
Analogue current output [mA]	4...20
Max. load [ $\Omega$ ]	270
Analogue voltage output [V]	10...10
Overload protection	yes
Operating conditions	
Ambient temperature [ $^{\circ}\text{C}$ ]	-20...60
Storage temperature [ $^{\circ}\text{C}$ ]	-25...70
Protection	IP 65
Protection rating terminals	IP 20
Tests / approvals	
EMC	EN 61000-6-2
	EN 61000-6-3
	EN 61000-6-4



## Multifunction display for monitoring analogue standard signals

DISPLAY/AX460/ANALOG/AC/DC

Mechanical data		
Weight	[g]	350.5
Type of mounting		panel cutout: 91 x 43 mm
Dimensions	[mm]	48 x 112 x 116
Materials		Noryl UL94-V-0
Displays / operating elements		
Display	colour display	full graphic LCD display, touch screen
Electrical connection		
screw terminals:		
Connection		

