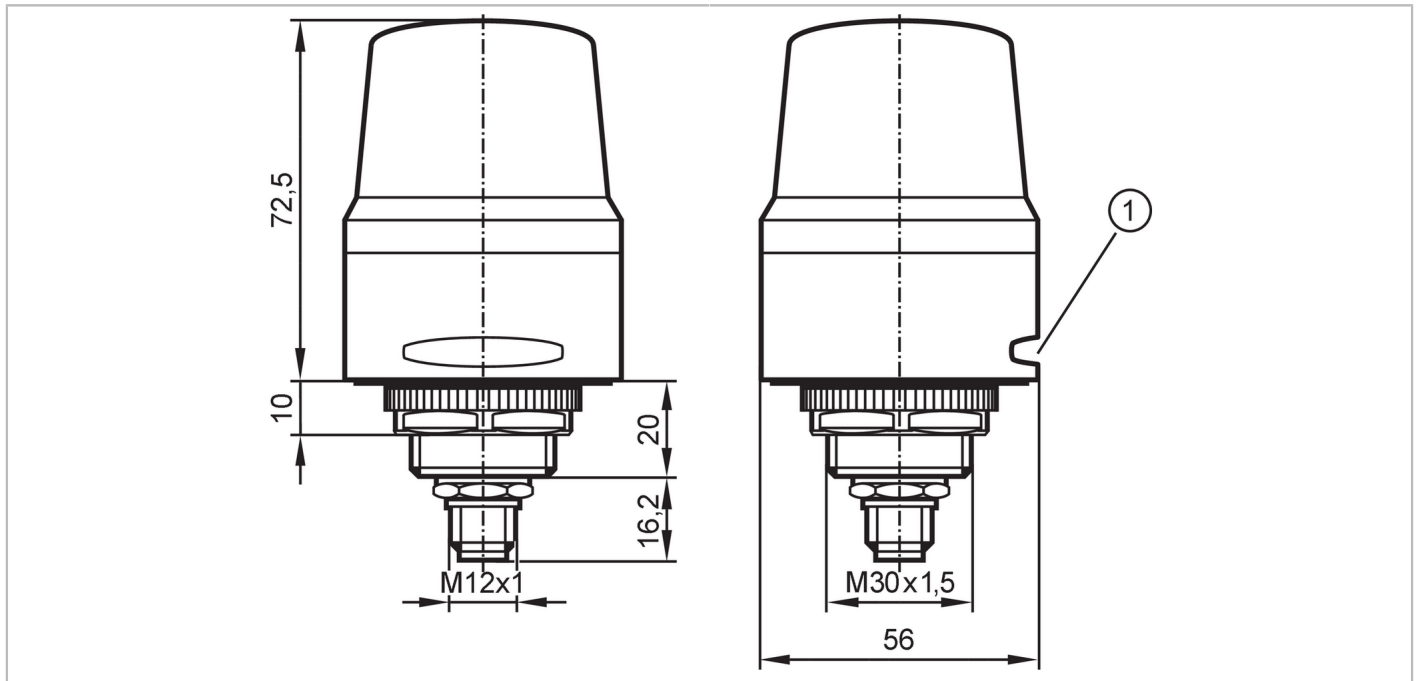


# DV2130



## 1-segment signal lamp

LED-Lamp/IO-Link/Buzzer



Application					
Application	signalling machine conditions				
Electrical data					
Operating voltage [V]	18...30 DC; (to SELV/PELV ; "supply class 2" to cURus)				
Nominal voltage DC [V]	24				
Current consumption [mA]	< 90				
Switch-on peak current [mA]	400				
Switch-on peak current duration [ms]	50				
Interfaces					
Communication interface	IO-Link				
Transmission type	COM2 (38,4 kBaud)				
IO-Link revision	1.1				
SDCI standard	IEC 61131-9				
SIO mode	yes				
Required master port type	A				
Min. process cycle time [ms]	8				
Supported DeviceIDs	<table border="1"> <thead> <tr> <th>Type of operation</th> <th>DeviceID</th> </tr> </thead> <tbody> <tr> <td>default</td> <td>1085</td> </tr> </tbody> </table>	Type of operation	DeviceID	default	1085
Type of operation	DeviceID				
default	1085				
Operating conditions					
Ambient temperature [°C]	-25...50				
Storage temperature [°C]	-40...75				
Max. relative air humidity [%]	90				
Max. height above sea level [m]	4000				
Protection	IP 65				

# DV2130



## 1-segment signal lamp

LED-Lamp/IO-Link/Buzzer

Pollution degree	2
------------------	---

### Tests / approvals

MTTF [years]	238
--------------	-----

### Mechanical data

Weight [g]	166.5
Dimensions [mm]	Ø 56 / L = 72.5
Materials	housing: ABS; lens: PC

### Displays / operating elements

Display	LED segment, red / green / yellow / blue / lilac / cyan / white
Acoustic signal	buzzer
Max. sound pressure [dB]	90

### Accessories

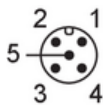
Accessories (optional)	mounting base, E89060
	wall bracket, E89061
	mounting adapter, E89063
	bracket with lateral cable entry, E89064
	mounting tube, E89065
	mounting tube, E89066
	mounting tube, E89067
	mounting base, E89080

### Remarks

Remarks	For further information please see the operating instructions.
Pack quantity	1 pcs.

### Electrical connection - plug

Connector: M12; coding: A



### IO-Link

1	UB+
2	not used
3	UB-
4	IO-Link
5	not used

### standard mode

1	IN1 red
2	IN2 green
3	GND
4	buzzer
5	IN3 blue

# DV2130

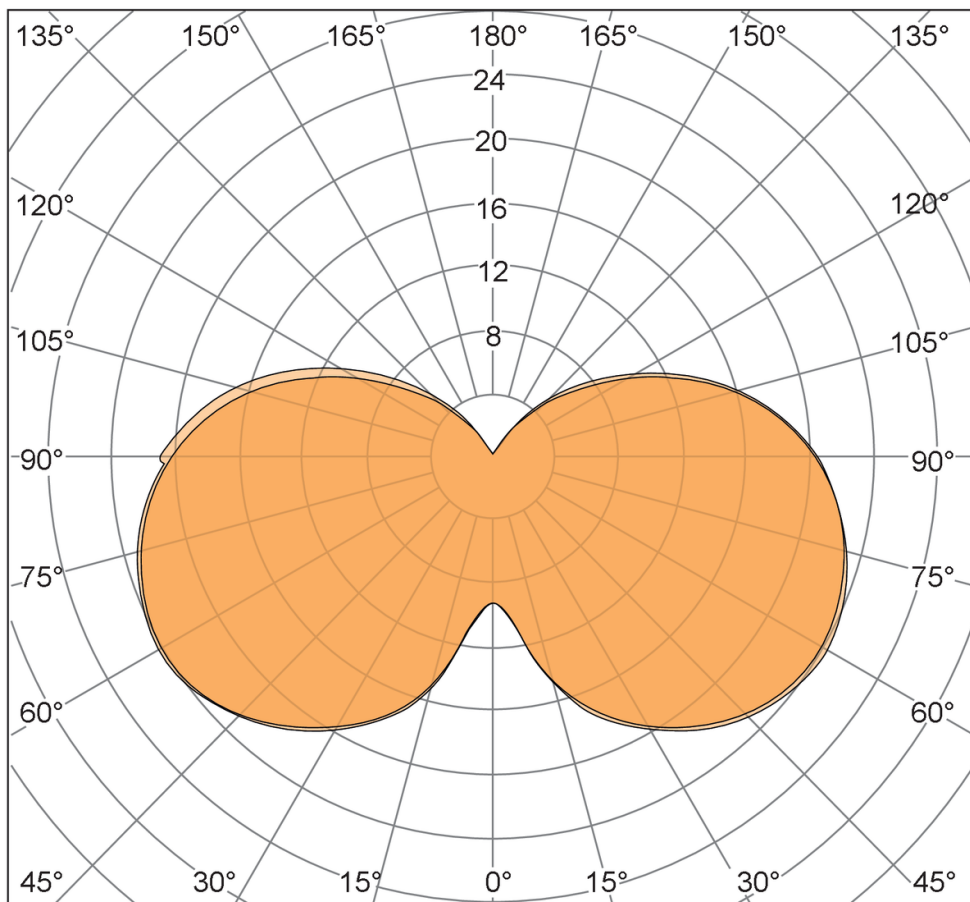


## 1-segment signal lamp

LED-Lamp/IO-Link/Buzzer

### Diagrams and graphs

light intensity distribution curve



$\eta=20\%$

light intensity distribution curve: red

1000 lm

operating efficiency = 20%

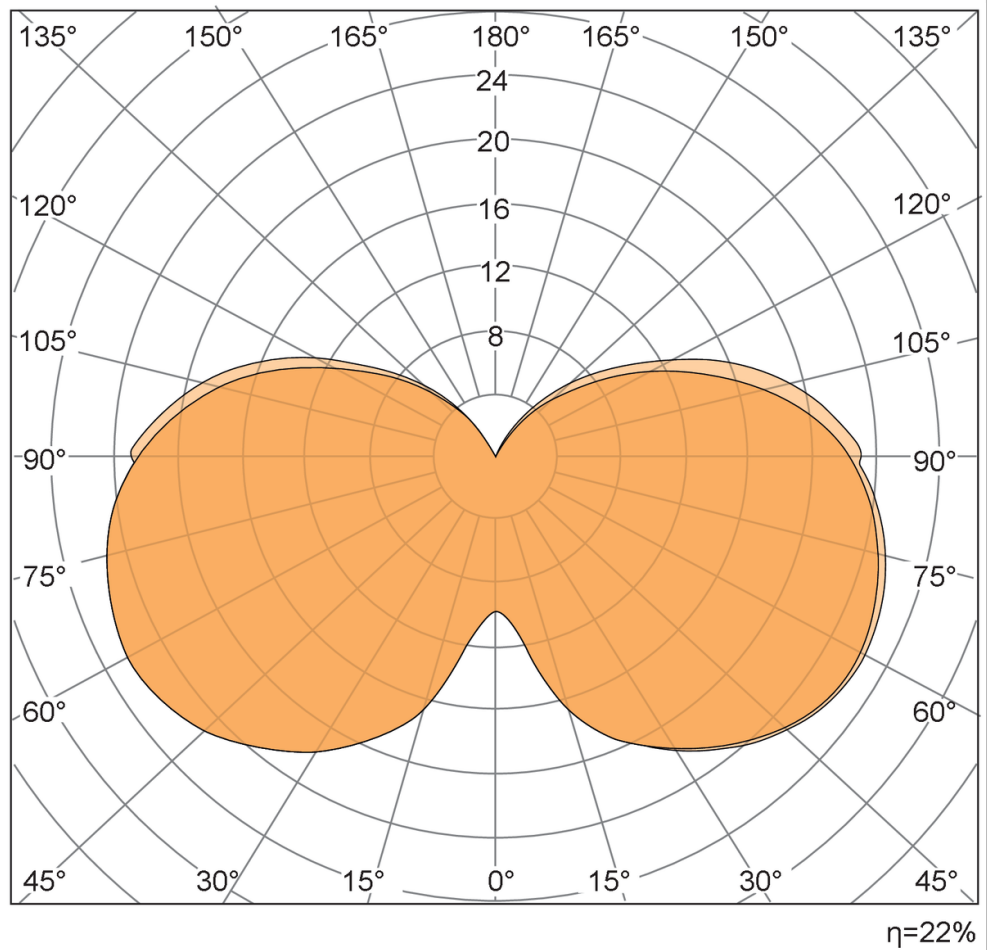
# DV2130



## 1-segment signal lamp

LED-Lamp/IO-Link/Buzzer

light intensity distribution curve



light intensity distribution curve: green

1000 lm

operating efficiency = 22%

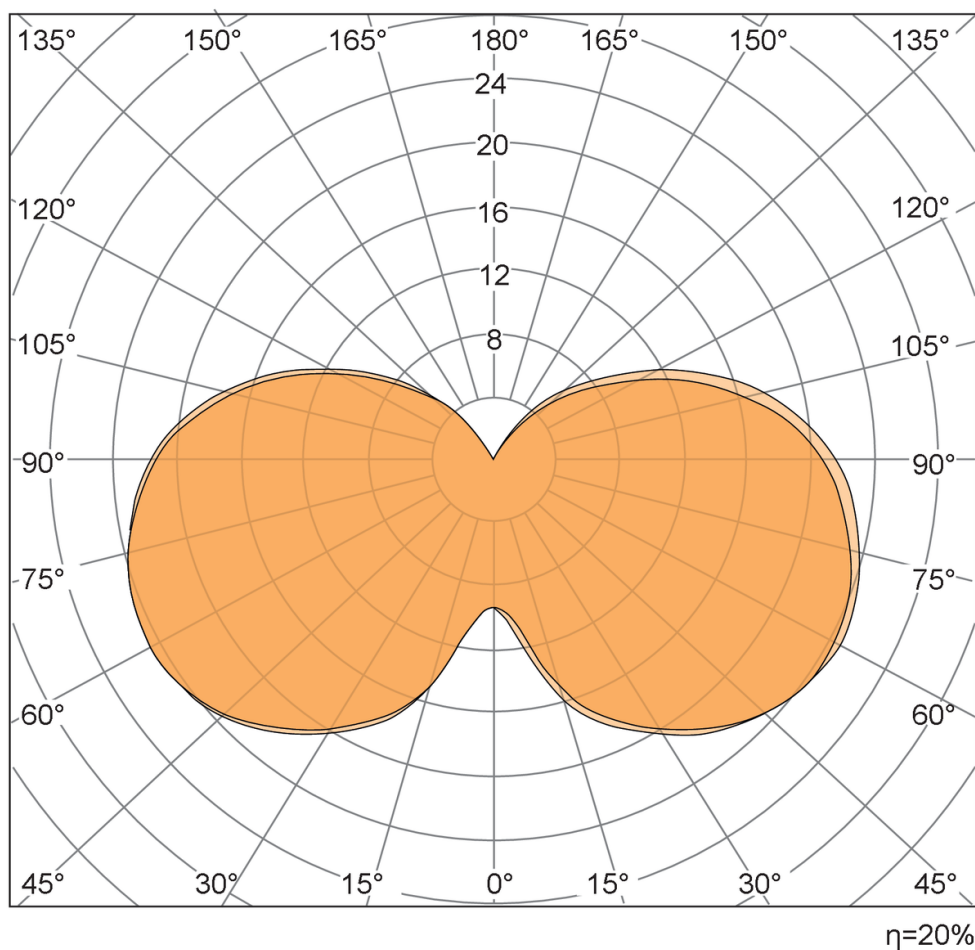
# DV2130



## 1-segment signal lamp

LED-Lamp/IO-Link/Buzzer

light intensity distribution curve



$\eta=20\%$

light intensity distribution curve: blue

1000 lm

operating efficiency = 20%

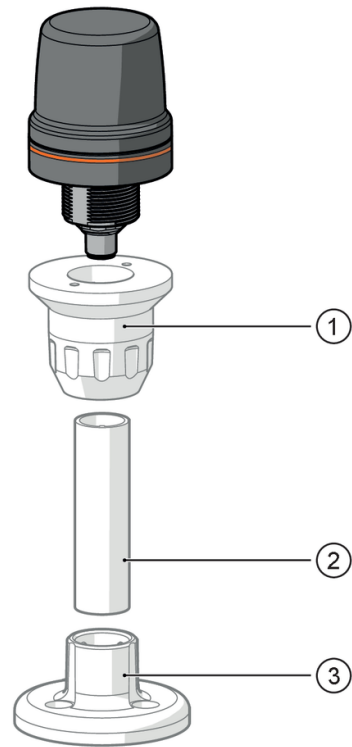
# DV2130



## 1-segment signal lamp

LED-Lamp/IO-Link/Buzzer

base mounting



- 1 E89080 not supplied
- 2 E89065, E89066, E89067 not supplied
- 3 E89060 not supplied

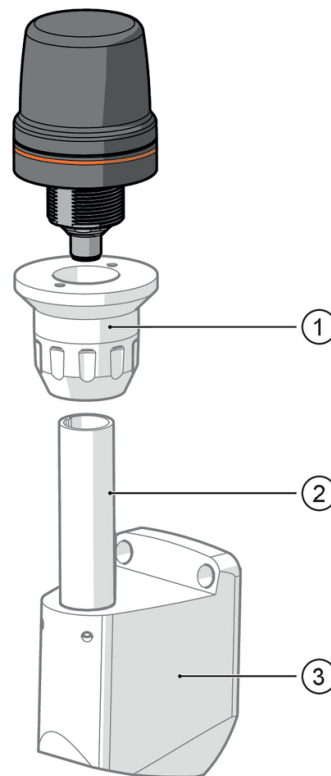
# DV2130



## 1-segment signal lamp

LED-Lamp/IO-Link/Buzzer

wall mounting



- 1 E89080 not supplied
- 2 E89065, E89066, E89067 not supplied
- 3 E89061 not supplied