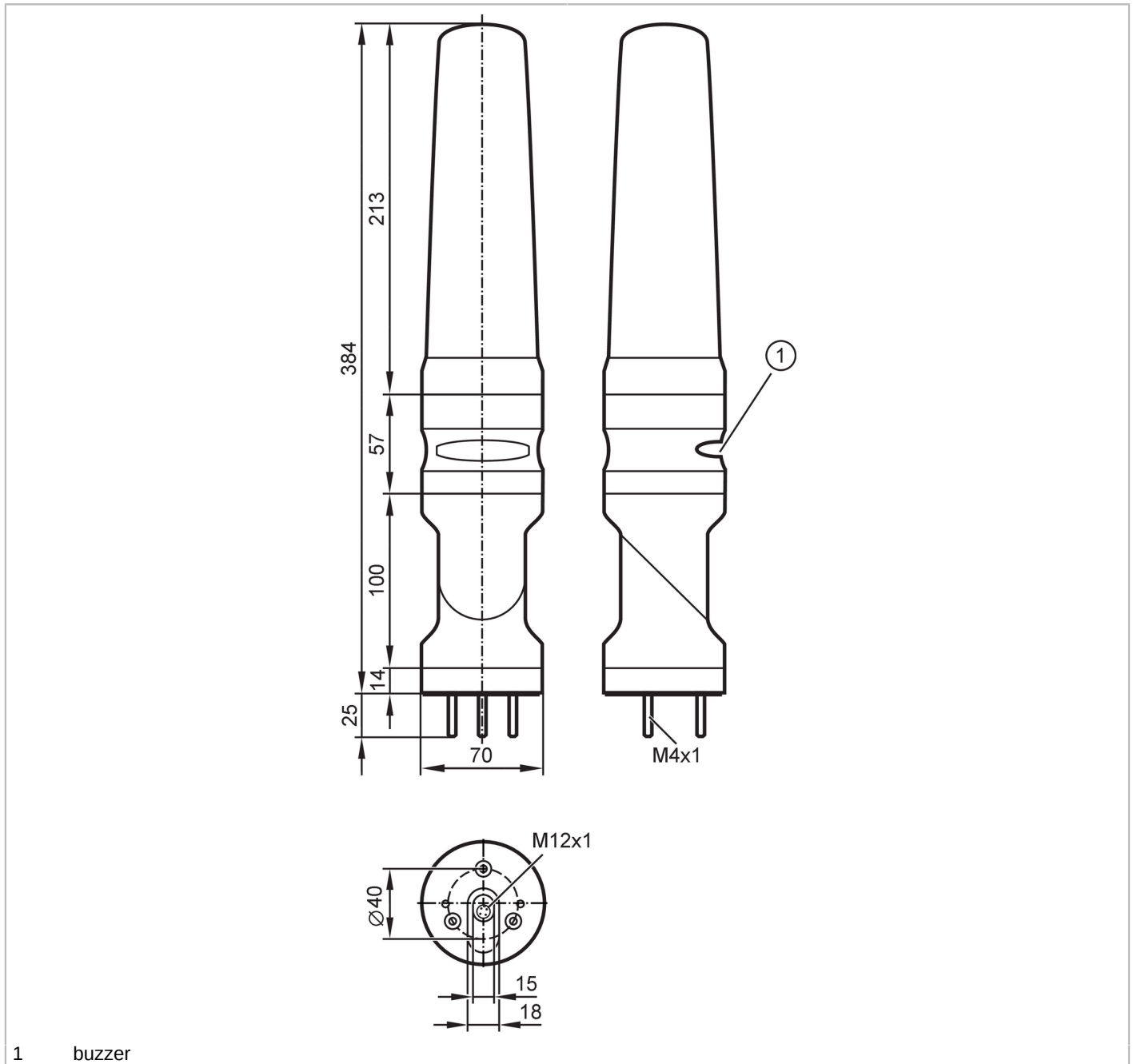


# DV2510



## 5-segment light tower with IO-Link control

LED-Tower-5/IOL/Bracket+Buz



1 buzzer



Application	
Application	signalling machine conditions
Electrical data	
Operating voltage [V]	18...30 DC; (to SELV/PELV)
Nominal voltage DC [V]	24
Current consumption [mA]	< 200
Inputs	
Input current High [mA]	6

# DV2510



## 5-segment light tower with IO-Link control

LED-Tower-5/IOL/Bracket+Buz

Interfaces		
Communication interface	IO-Link	
Transmission type	COM2 (38,4 kBaud)	
IO-Link revision	1.1	
SDCI standard	IEC 61131-9	
SIO mode	yes	
Required master port type	A	
Min. process cycle time [ms]	8	
Supported DeviceIDs	<b>Type of operation</b>	<b>DeviceID</b>
	Default	841
	Status B	1075
Operating conditions		
Ambient temperature [°C]	-25...50	
Storage temperature [°C]	-40...75	
Max. relative air humidity [%]	90	
Air pressure [kPa]	< 106	
Max. height above sea level [m]	2000	
Protection	IP 54	
Tests / approvals		
MTTF [years]	316	
Mechanical data		
Weight [g]	641	
Type of mounting	mounting base	
Dimensions [mm]	Ø 70 / L = 384	
Materials	housing: ABS; lens: PC	
Displays / operating elements		
Display	LED segment	5 x 4 LED
Acoustic signal	buzzer	
Max. sound pressure [dB]	85	
Accessories		
Accessories (optional)	mounting base, E89060	
	wall bracket, E89061	
	mounting adapter, E89063	
	bracket with lateral cable entry, E89064	
	mounting tube, E89065	
	mounting tube, E89066	
	mounting tube, E89067	
Remarks		
Remarks	For further information please see the operating instructions.	
Pack quantity	1 pcs.	

# DV2510



## 5-segment light tower with IO-Link control

LED-Tower-5/IOL/Bracket+Buz

### Electrical connection - plug

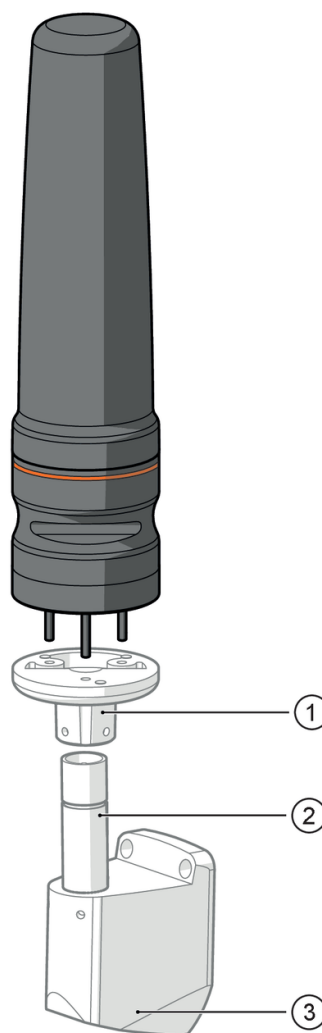
Connector: M12; coding: A



1	UB+
2	not used
3	UB-
4	IO-Link (C/Q)

### Diagrams and graphs

wall mounting



- 1 E89060 not supplied
- 2 E89065, E89066, E89067 not supplied
- 3 E89061 not supplied

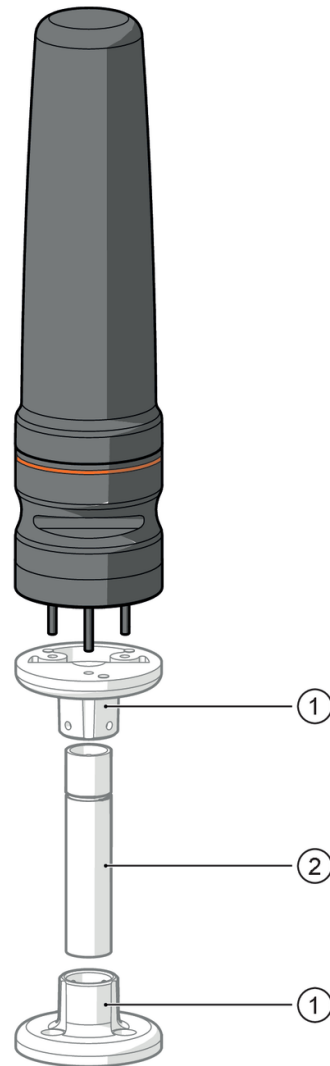
# DV2510



## 5-segment light tower with IO-Link control

LED-Tower-5/IO/Bracket+Buz

base mounting



- 1 E89060 not supplied
- 2 E89065, E89066, E89067 not supplied

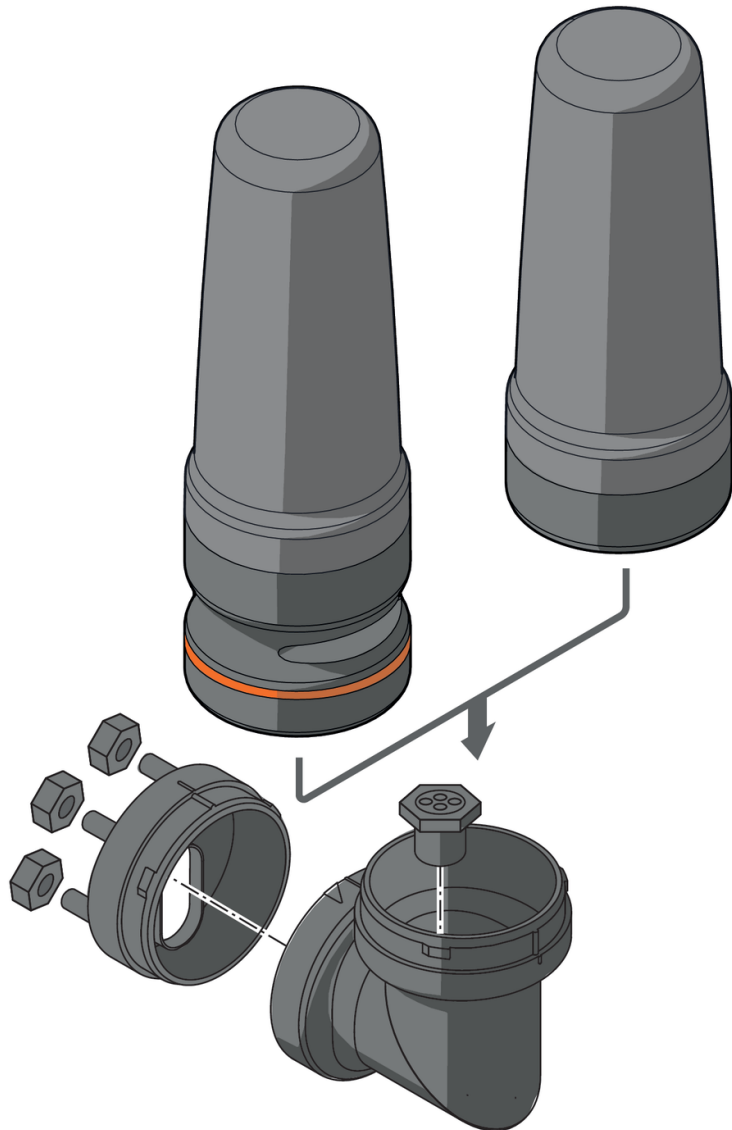
# DV2510



## 5-segment light tower with IO-Link control

LED-Tower-5/IOL/Bracket+Buz

### Installation



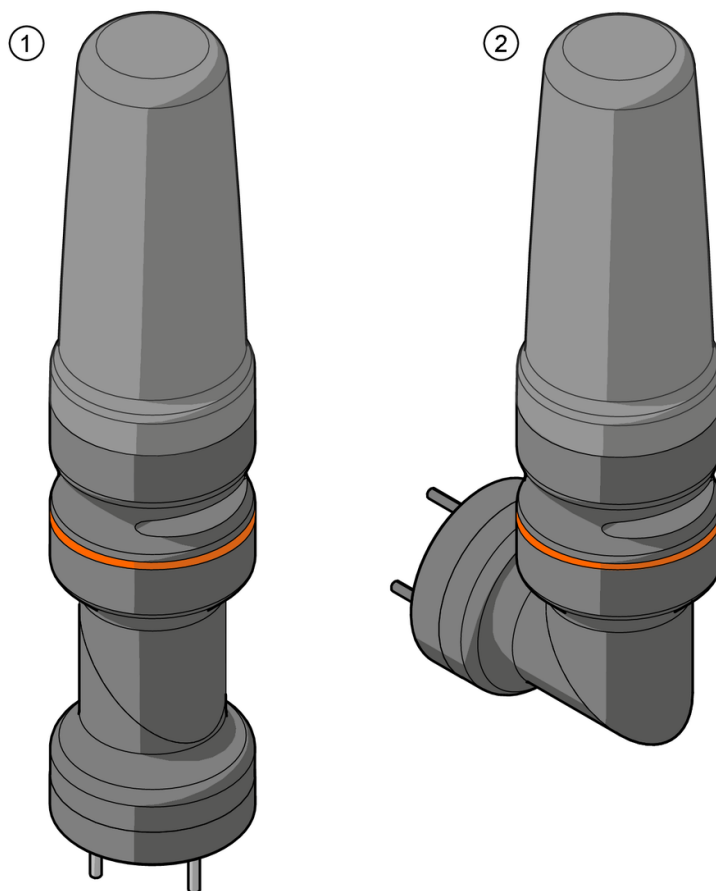
# DV2510



## 5-segment light tower with IO-Link control

LED-Tower-5/IO/Bracket+Buz

### Installation



- 1 mounting on a horizontal surface
- 2 mounting on a vertical surface