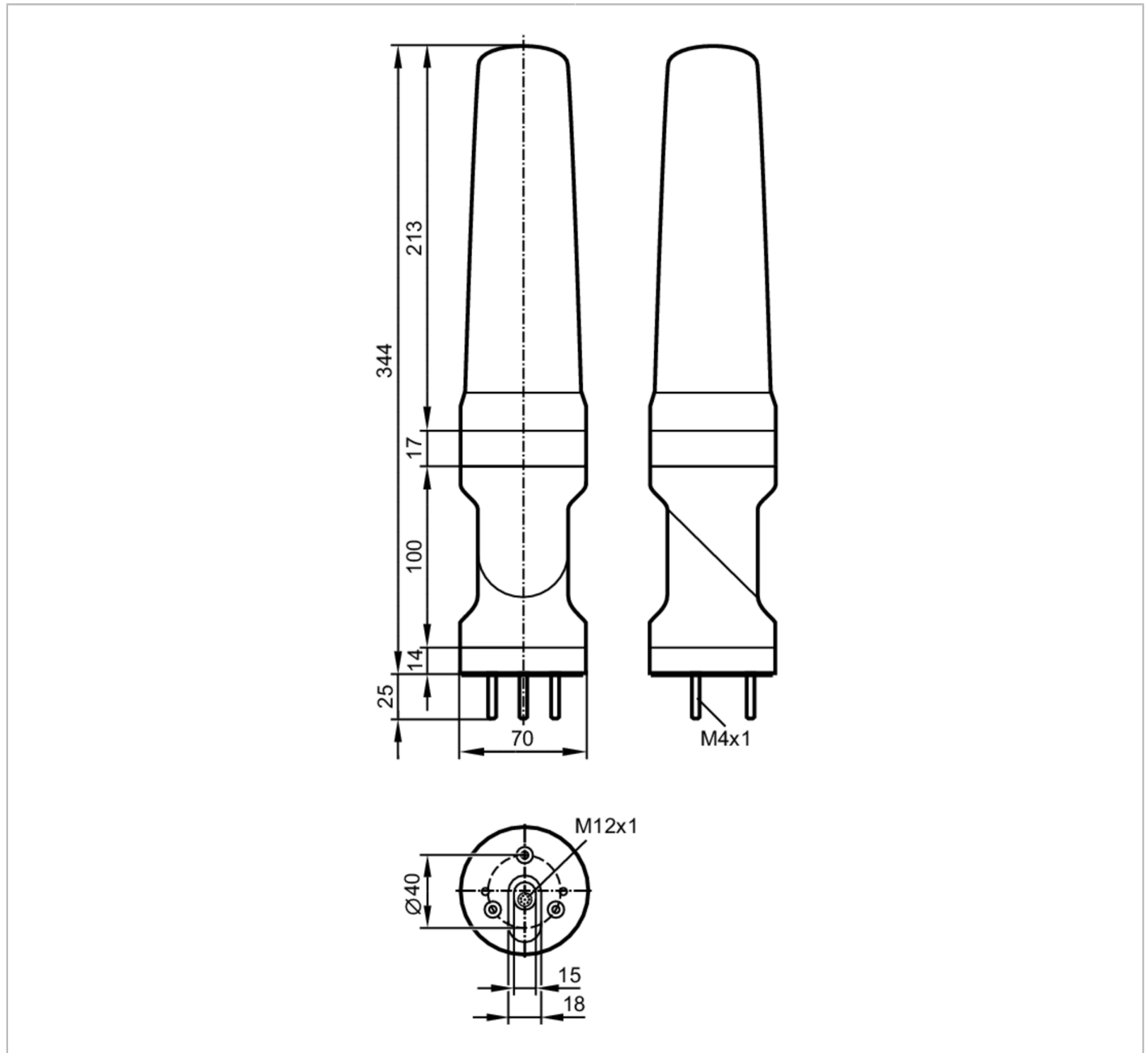


# DV1500



## 5-segment light tower

LED-Tower-5/Std/Bracket



Application	
Application	signalling machine conditions
Electrical data	
Operating voltage [V]	18...30 DC; (to SELV/PELV)
Nominal voltage DC [V]	24
Current consumption [mA]	< 200
Inputs / outputs	
Number of inputs and outputs	Number of digital inputs: 6

# DV1500



## 5-segment light tower

LED-Tower-5/Std/Bracket

### Inputs

Number of digital inputs		6
Input current High	[mA]	6

### Interfaces

Communication interface		IO-Link
Transmission type		COM2 (38.4 kBaud)
IO-Link revision		1.1
SDCI standard		IEC 61131-9
IO-Link device ID		850 d / 00 03 52 h
SIO mode		yes
Required master port type		A
Min. process cycle time	[ms]	3.2

### Operating conditions

Ambient temperature	[°C]	-25...50
Storage temperature	[°C]	-40...75
Max. relative air humidity	[%]	90
Air pressure	[kPa]	< 106
Max. height above sea level	[m]	2000
Protection		IP 65

### Mechanical data

Weight	[g]	589.5
Type of mounting		Mounting base
Dimensions	[mm]	Ø 70 / L = 344
Materials		housing: ABS; lens: PC

### Displays / operating elements

Display	status	1 LED, green
	LED segment	5 x 4 LEDs

### Remarks

Remarks	For further information please see the operating instructions.
Pack quantity	1 pcs.

### Electrical connection

1	digital input LED segment 5
2	not used
3	digital input LED segment 3
4	digital input LED segment 2
5	voltage supply
6	digital input LED segment 1
7	digital input LED segment 4
8	IO-Link (C/Q)

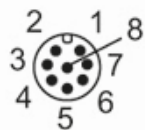
Connector: M12

# DV1500



## 5-segment light tower

LED-Tower-5/Std/Bracket



### Connection