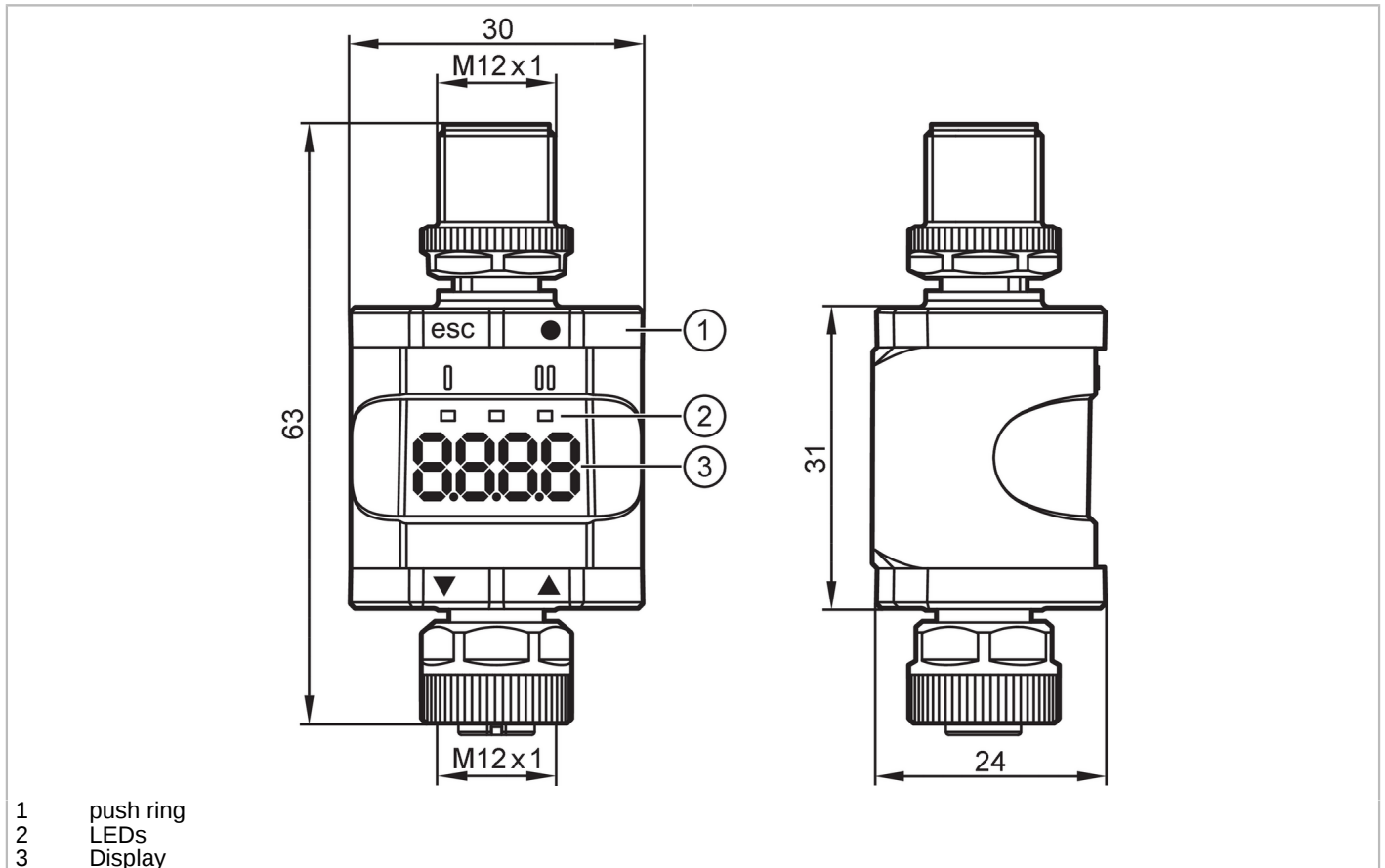


DP2122



Speed monitor IO-Link - 0...2000 Hz

Monitoring Display-Speed



Product characteristics	
Number of inputs and outputs	Number of digital inputs: 1; Number of digital outputs: 2
Communication interface	IO-Link
DP2122_FREQ / CMPT = 1	
Measuring range [Hz]	0.1...2000
DP2122_REVL / CMPT = 2	
Measuring range [U/min]	1...120000
Electrical data	
Operating voltage [V]	18...30 DC; (to SELV/PELV)
Nominal voltage DC [V]	24
Current consumption [mA]	< 380
Max. current load total [A]	0.2
Inputs / outputs	
Number of inputs and outputs	Number of digital inputs: 1; Number of digital outputs: 2
Inputs	
Number of digital inputs	1; (IEC61131-2)
Input current limitation [mA]	200
Outputs	
Electrical design	PNP/NPN

DP2122



Speed monitor IO-Link - 0...2000 Hz

Monitoring Display-Speed

Number of digital outputs	2
Output function	normally open / normally closed; (parameterisable)
Short-circuit proof	yes

Measuring/setting range

DP2122_FREQ / CMPT = 1	
Measuring range [Hz]	0.1...2000
DP2122_REVL / CMPT = 2	
Measuring range [U/min]	1...120000

Accuracy / deviations

Hysteresis [%]	0.5...100
----------------	-----------

Interfaces

Communication interface	IO-Link	
Transmission type	COM2 (38,4 kBaud)	
IO-Link revision	1.1	
SDCI standard	IEC 61131-9	
Profiles	Smart Sensor - SSP 3.4	Measuring Sensor, high resolution, sensor control function
	Common - I&D	Identification and Diagnosis
	Function	Multiple switching signal
	Function	Adjustable switching signal
SIO mode	yes	
Required master port type	A	
Process data binary	1	
Min. process cycle time [ms]	4.3	
Supported DeviceIDs	Type of operation	DeviceID
	FREQ / CMPT = 1	1167
	REVL / CMPT = 2	1294

Operating conditions

Ambient temperature [°C]	-25...60
Note on ambient temperature	2000 m: -25...60 °C
	3000 m: -25...53 °C
	4000 m: -25...51 °C
Storage temperature [°C]	-25...60
Max. relative air humidity [%]	90; (linearly decreasing to 50 % (40 °C) non condensing)
Max. height above sea level [m]	4000
Protection	IP 67
Pollution degree	2

Tests / approvals

MTTF [years]	317	
UL approval	Ta	max. 55 °C
	File number UL	E205959

Mechanical data

Weight [g]	83.8
Weight (without accessories and packaging) [g]	35

DP2122



Speed monitor IO-Link - 0...2000 Hz

Monitoring Display-Speed

Housing		rectangular
Dimensions [mm]		63 x 30 x 24
Materials		housing: PA

Displays / operating elements

Display	operation	1 x LED, green
		7-segment LED display, green/red configurable
Operating elements	2	push ring

Accessories

Accessories (optional)		mounting clip
------------------------	--	---------------

Remarks

Remarks	For further information please see the operating instructions. the device complies with overvoltage category II	
Pack quantity		1 pcs.

Electrical connection - plug

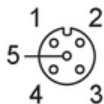
Connector: 1 x M12; coding: A; Contacts: 4



1: L+	supply voltage
2: OUT2	digital output 2
3: L-	supply voltage
4: OUT1	IO-Link C/Q

Electrical connection - socket

Connector: 1 x M12; coding: A; Contacts: 4



1: L+	
2:	Enable input
3: L-	
4:	digital input 1
5:	not used