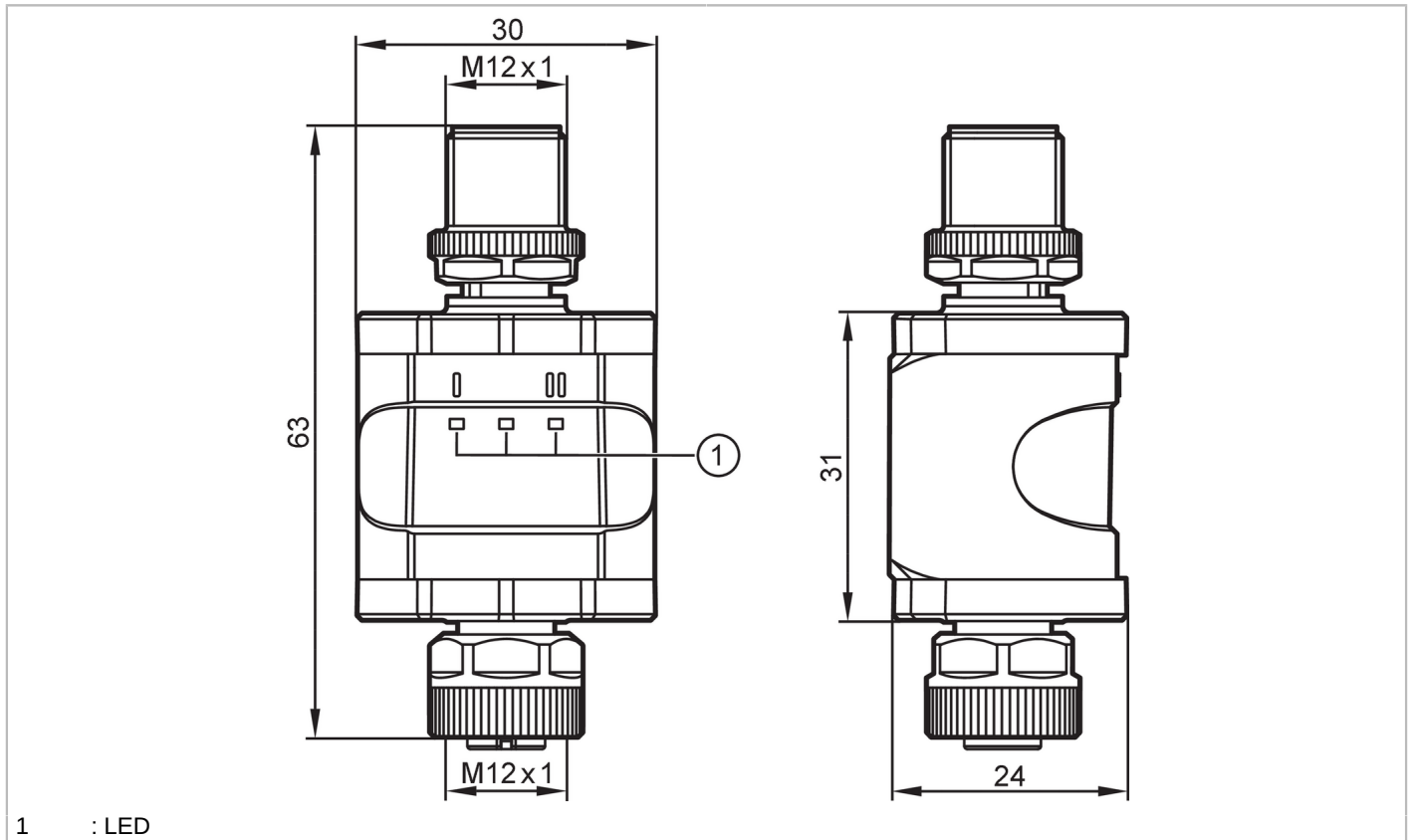


# DP1223



## Converter IO-Link - 0...10 V

Converter IO-Link/2x0-10V



Product characteristics	
Number of inputs and outputs	Number of analogue outputs: 2
Communication interface	IO-Link
Electrical data	
Operating voltage [V]	18...30 DC; (to SELV/PELV)
Nominal voltage DC [V]	24
Current consumption [mA]	300
Max. current load total [A]	0.2
Inputs / outputs	
Number of inputs and outputs	Number of analogue outputs: 2
Outputs	
Number of analogue outputs	2
Analogue voltage output [V]	0...10
Min. load resistance [ $\Omega$ ]	3000
Precision analogue output [%]	0,25
Interfaces	
Communication interface	IO-Link
Transmission type	COM2 (38,4 kBaud)
IO-Link revision	1.1
SDCI standard	IEC 61131-9
Profiles	Common - I&D Identification and Diagnosis

# DP1223



## Converter IO-Link - 0...10 V

Converter IO-Link/2x0-10V

SIO mode	no	
Required master port type	A/B	
Process data analogue	2	
Min. process cycle time [ms]	3.6	
IO-Link process data (cyclical)	<b>function</b>	<b>bit length</b>
	device status	4
	voltage - output 1	16
	voltage - output 2	16
IO-Link functions (acyclical)	application specific tag	
Supported DeviceIDs	<b>Type of operation</b>	<b>DeviceID</b>
	default	614

### Operating conditions

Ambient temperature [°C]	-25...70	
Note on ambient temperature	2000 m:	-25...70 °C
	3000 m:	-25...64 °C
	4000 m:	-25...62 °C
Storage temperature [°C]	-25...70	
Max. relative air humidity [%]	90; (linearly decreasing to 50 % (40 °C) non condensing)	
Max. height above sea level [m]	4000	
Protection	IP 67	
Pollution degree	2	

### Tests / approvals

MTTF [years]	432	
UL approval	Ta	max. 55 °C
	File number UL	E205959

### Mechanical data

Weight [g]	91	
Housing	rectangular	
Dimensions [mm]	63 x 30 x 24	
Materials	housing: PA	

### Displays / operating elements

Display	operation	1 x LED, green
	analogue output	2 x LED, yellow

### Accessories

Accessories (optional)	mounting clip
------------------------	---------------

### Remarks

Remarks	For further information please see the operating instructions. the device complies with overvoltage category II
Pack quantity	1 pcs.

# DP1223



## Converter IO-Link - 0...10 V

Converter IO-Link/2x0-10V

### Electrical connection - plug

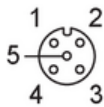
Connector: 1 x M12; coding: A; Contacts: 4



1:	L+
2:	not used
3:	L-
4:	C/Q IO-Link

### Electrical connection - socket

Connector: 1 x M12; coding: A; Contacts: 4



1:	L+
2:	0...10 V analogue output 2
3:	L-
4:	0...10 V analogue output 1
5:	not used