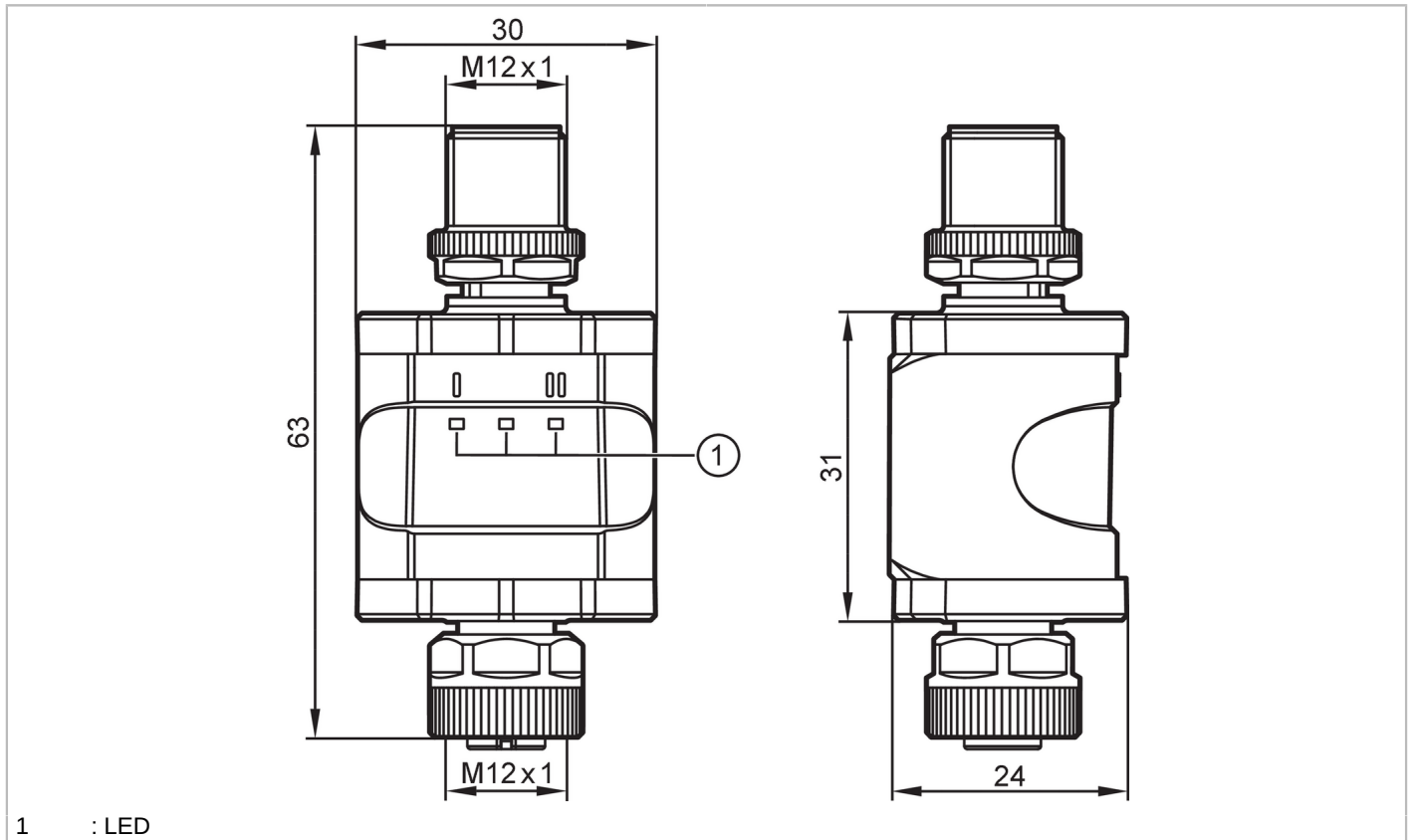


DP1222



Converter 0...10 V - IO-Link

Converter 2x0-10V/IO-Link



Product characteristics	
Number of inputs and outputs	Number of analogue inputs: 2
Communication interface	IO-Link
Electrical data	
Operating voltage [V]	18...30 DC; (to SELV/PELV)
Nominal voltage DC [V]	24
Current consumption [mA]	< 380
Inputs / outputs	
Number of inputs and outputs	Number of analogue inputs: 2
Inputs	
Max. total current rating of inputs [mA]	200
Number of analogue inputs	2
Analogue input (voltage) [V]	0...10
Interfaces	
Communication interface	IO-Link
Transmission type	COM2 (38,4 kBaud)
IO-Link revision	1.1
SDCI standard	IEC 61131-9
SIO mode	no
Required master port type	A/B

DP1222



Converter 0...10 V - IO-Link

Converter 2x0-10V/IO-Link

Process data analogue	2	
Supported DeviceIDs	Type of operation	DeviceID
	CMPT = 1	613
	STATUS_B / CMPT = 2 (Factory setting)	1428
CMPT = 1		
Profiles	Common - I&D	Identification and Diagnosis
Min. process cycle time [ms]	4.3	
STATUS_B / CMPT = 2 (Factory setting)		
Profiles	Common - I&D	Identification and Diagnosis
	Function	Multiple switching signal
	Function	Adjustable switching signal
Min. process cycle time [ms]	4.6	
Operating conditions		
Ambient temperature [°C]	-25...70	
Note on ambient temperature	2000 m: -25...70 °C	
	3000 m: -25...64 °C	
	4000 m: -25...62 °C	
Storage temperature [°C]	-25...70	
Max. relative air humidity [%]	90; (linearly decreasing to 50 % (40 °C) non condensing)	
Max. height above sea level [m]	4000	
Protection	IP 67	
Pollution degree	2	
Tests / approvals		
MTTF [years]	504	
UL approval	Ta	max. 55 °C
	File number UL	E205959
Mechanical data		
Weight [g]	92	
Housing	rectangular	
Dimensions [mm]	63 x 30 x 24	
Materials	housing: PA	
Displays / operating elements		
Display	operation	1 x LED, green
	analogue input	2 x LED, yellow
Accessories		
Accessories (optional)	mounting clip	
Remarks		
Remarks	For further information please see the operating instructions. the device complies with overvoltage category II	
Pack quantity	1 pcs.	

DP1222



Converter 0...10 V - IO-Link

Converter 2x0-10V/IO-Link

Electrical connection - plug

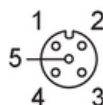
Connector: 1 x M12; coding: A



1:	L+
2:	not used
3:	L-
4:	C/Q IO-Link

Electrical connection - socket

Connector: 1 x M12; coding: A



1:	L+
2:	0...10 V analogue input 2
3:	L-
4:	0...10 V analogue input 1
5:	not used