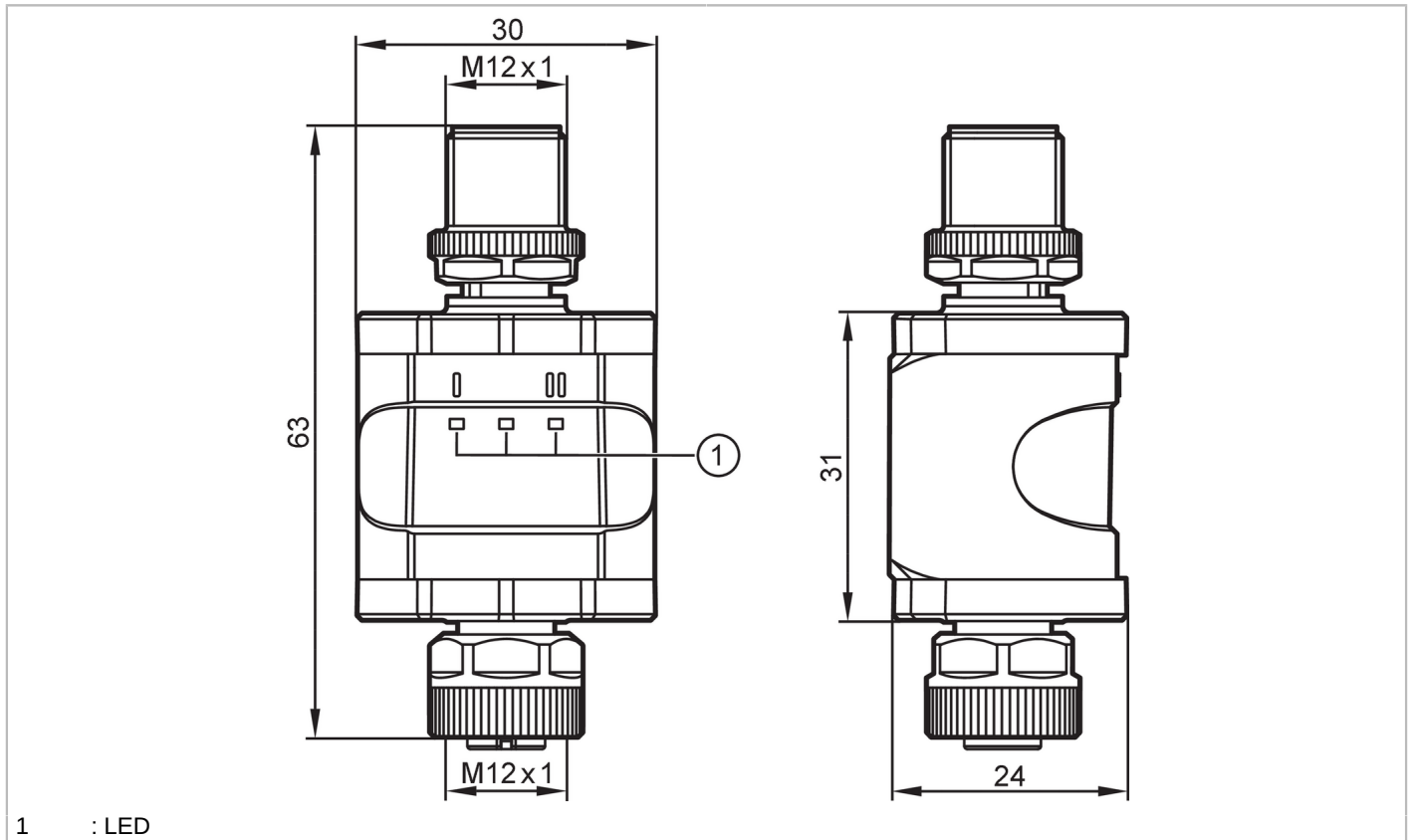


DP1213



Converter IO-Link - 4...20 mA

Converter IO-Link/2x4-20mA



Product characteristics	
Number of inputs and outputs	Number of analogue outputs: 2
Communication interface	IO-Link
Electrical data	
Operating voltage [V]	18...30 DC; (to SELV/PELV)
Nominal voltage DC [V]	24
Current consumption [mA]	300
Max. current load total [A]	0.2
Inputs / outputs	
Number of inputs and outputs	Number of analogue outputs: 2
Outputs	
Number of analogue outputs	2
Analogue current output [mA]	4...20
Max. load [Ω]	300
Precision analogue output [%]	0,25
Interfaces	
Communication interface	IO-Link
Transmission type	COM2 (38,4 kBaud)
IO-Link revision	1.1
SDCI standard	IEC 61131-9
Profiles	Common - I&D Identification and Diagnosis

DP1213



Converter IO-Link - 4...20 mA

Converter IO-Link/2x4-20mA

SIO mode	no	
Required master port type	A/B	
Process data analogue	2	
Min. process cycle time [ms]	3.6	
Supported DeviceIDs	Type of operation default	DeviceID 612

Operating conditions	
Ambient temperature [°C]	-25...70
Note on ambient temperature	2000 m: -25...70 °C
	3000 m: -25...64 °C
	4000 m: -25...62 °C
Storage temperature [°C]	-25...70
Max. relative air humidity [%]	90; (linearly decreasing to 50 % (40 °C) non condensing)
Max. height above sea level [m]	4000
Protection	IP 67
Pollution degree	2

Tests / approvals		
MTTF [years]	352	
UL approval	Ta	max. 50 °C
	File number UL	E205959

Mechanical data	
Weight [g]	91.5
Housing	rectangular
Dimensions [mm]	63 x 30 x 24
Materials	housing: PA

Displays / operating elements		
Display	operation	1 x LED, green
	analogue output	2 x LED, yellow

Accessories	
Accessories (optional)	mounting clip

Remarks	
Remarks	For further information please see the operating instructions. the device complies with overvoltage category II
Pack quantity	1 pcs.

Electrical connection - plug

Connector: 1 x M12; coding: A; Contacts: 4



1:	L+
2:	not used
3:	L-
4:	C/Q IO-Link

DP1213

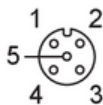


Converter IO-Link - 4...20 mA

Converter IO-Link/2x4-20mA

Electrical connection - socket

Connector: 1 x M12; coding: A; Contacts: 4



1:	L+
2:	4...20 mA analogue output 2
3:	L-
4:	4...20 mA analogue output 1
5:	not used