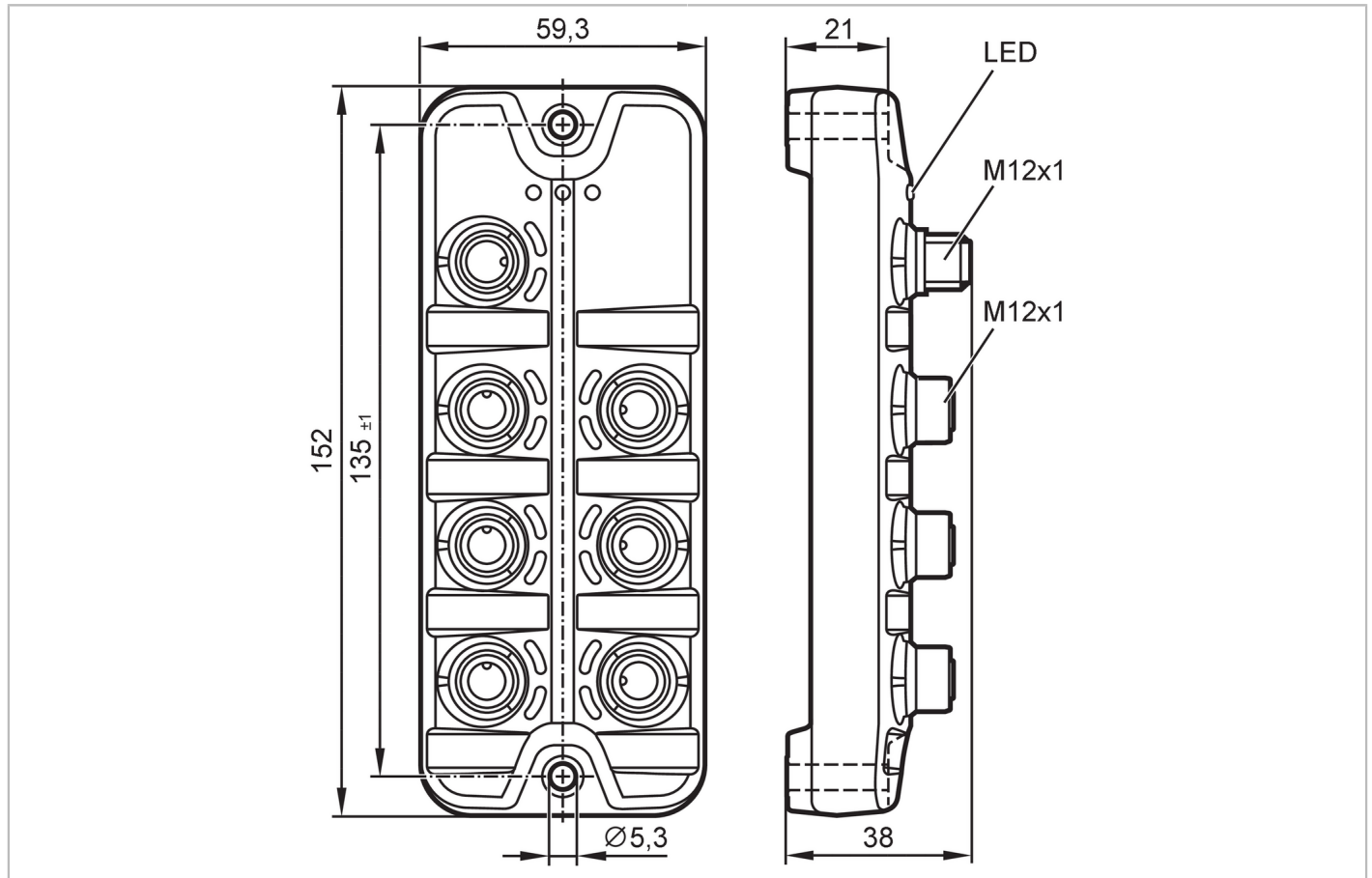


AL2340



IO-Link input module

IO-Link Module 6x2 DI M12 IP67



Electrical data	
Operating voltage [V]	18...30 DC
Current consumption [mA]	100...700; (US)
Protection class	III
Sensor supply US	
Current rating per port [A]	0.1
Inputs / outputs	
Number of inputs and outputs	Number of digital inputs: 12
Inputs	
Number of digital inputs	12; (6 x 2 PNP type 2 according to IEC 61131-2)
Sensor supply of the inputs	IO-Link
Voltage supply [V]	16...30
Interfaces	
Communication interface	IO-Link
Transmission type	COM2 (38,4 kBaud)
IO-Link revision	1.1
SDCI standard	IEC 61131-9

AL2340



IO-Link input module

IO-Link Module 6x2 DI M12 IP67

Profiles	Smart Sensor - SSP 0	Generic Profiled Sensor
	Function	Device identification
	Function	Process data variable
	Function	Device diagnosis
SIO mode		no
Required master port type		A
Min. process cycle time [ms]		4.3
Supported DeviceIDs	Type of operation	DeviceID
	default	995

Operating conditions		
Ambient temperature [°C]		-25...60
Storage temperature [°C]		-25...70
Max. relative air humidity [%]		90
Max. height above sea level [m]		2000
Protection		IP 65; IP 67
Protection rating (NEMA 250)		6P
Pollution degree		2
Chemical media	ISO 16750-5	AA, BA, BD, HLP, CC, DB, DC, DD, CA
	NEMA 250 5.13.1	AA

Tests / approvals		
EMC	EN 61000-6-2	
	EN 61000-6-3	
	IEC 61131-9	
Shock resistance	DIN EN 60068-2-27	
Vibration resistance	DIN EN 60068-2-64	
	DIN EN 60068-2-6	
MTTF [years]		197

Mechanical data		
Weight [g]		289
Housing		rectangular
Type of mounting		backplane mounting
Dimensions [mm]		152 x 59.3 x 38
Materials		housing: PA orange; socket: brass nickel-plated
Sealing material		FKM

Displays / operating elements		
Display	operation	1 x LED, green
	fault	1 x LED, red
	function	1 x LED, yellow

Accessories	
Accessories (optional)	protective cap for M12 sockets

Remarks	
Pack quantity	1 pcs.

AL2340



IO-Link input module

IO-Link Module 6x2 DI M12 IP67

Electrical connection - IO-Link

Connector: 1 x M12; coding: A; Contacts: 4

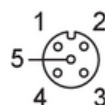


X1

1	+ 24 V DC (US)
2	not used
3	GND (US)
4	IO-Link

Electrical connection - Inputs

Connector: 6 x M12; coding: A; Contacts: 4; Sealing: FKM



X1.0...X1.5

1	Sensor supply + 24 V DC (US)
2	digital input DI2
3	Sensor supply GND (US)
4	digital input DI1
5	not used