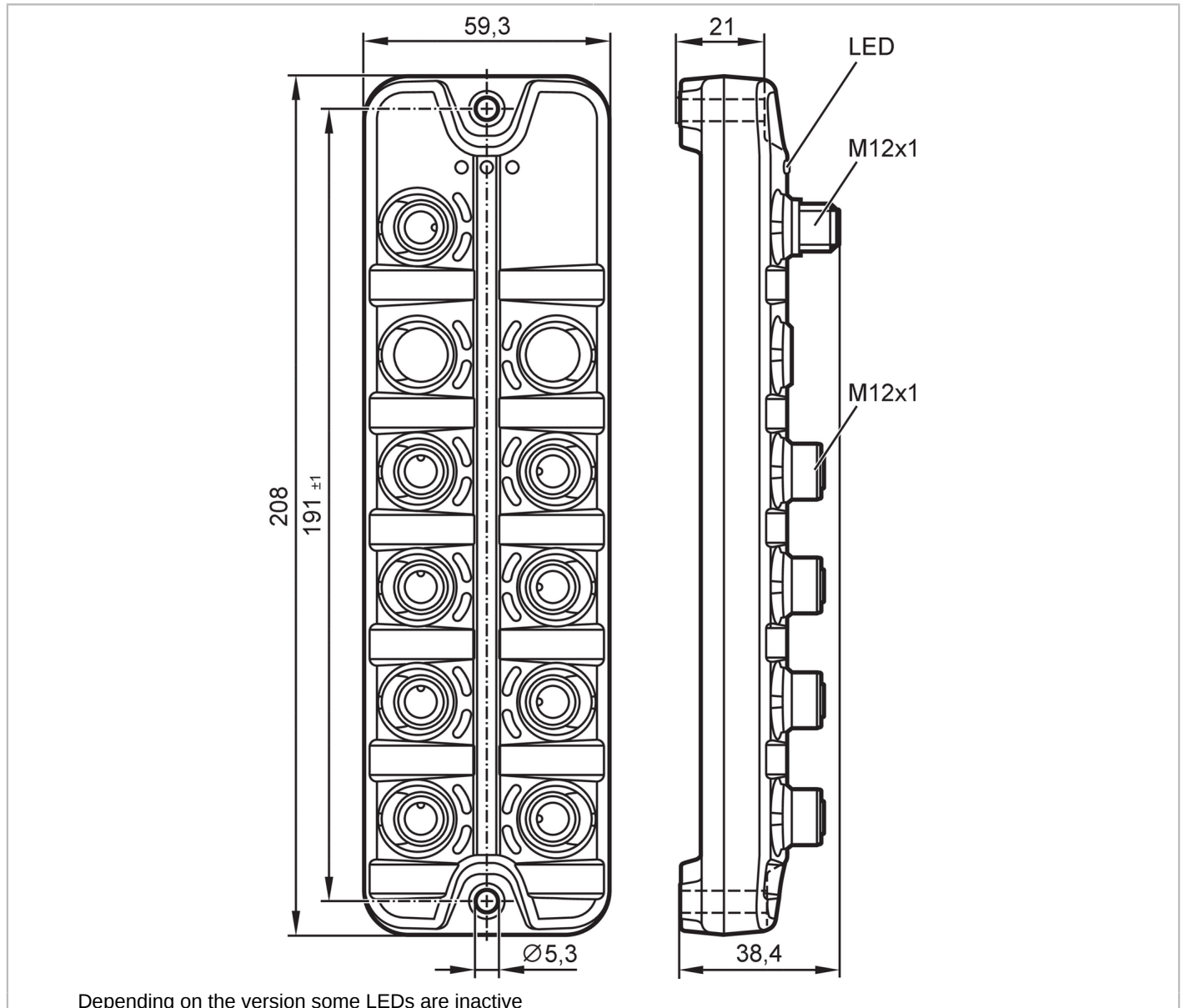


AL2321



IO-Link input/output module

IOL MOD SL 8XDX/DX A M12 IP67



Depending on the version some LEDs are inactive



Electrical data	
Operating voltage [V]	18...30 DC
Current consumption [mA]	1100; (US)
Protection class	III
Inputs / outputs	
Total number of inputs and outputs	16
Number of inputs and outputs	Number of digital inputs: 16; Number of digital outputs: 16
Inputs	
Number of digital inputs	16; (configurable)
Input circuit of digital inputs	PNP; (type 3 (IEC 61131-2))
Sensor supply of the inputs	US

AL2321



IO-Link input/output module

IOL MOD SL 8XDX/DX A M12 IP67

Power supply	[V]	18...30
Input current High	[mA]	2...15
Input current Low	[mA]	0...1.5
Switching level high	[V]	11...28
Switching level low	[V]	0...5

Outputs	
Number of digital outputs	16; (configurable)
Max. current load per output [mA]	1000
Max. current load outputs total [A]	1
Short-circuit protection	yes
Actuator supply outputs	US

Interfaces	
Communication interface	IO-Link
Transmission type	COM3 (230,4 kBaud)
IO-Link revision	1.1
SDCI standard	IEC 61131-9
Profiles	Common - I&D Identification and Diagnosis
SIO mode	no
Required master port type	A
Min. process cycle time [ms]	4
Supported DeviceIDs	Type of operation DeviceID default 1314
Note	For further information please see the IODD PDF file under "Downloads"

Operating conditions	
Ambient temperature [°C]	-25...60
Storage temperature [°C]	-25...70
Max. relative air humidity [%]	90
Max. height above sea level [m]	2000
Protection	IP 65; IP 67
Protection rating (NEMA 250)	6P
Pollution degree	2
Chemical media	ISO 16750-5 AA, BA, BD, HLP, CC, DB, DC, DD, CA NEMA 250 5.13.1 AA

Tests / approvals		
EMC	EN 61000-6-2	
	EN 61000-6-3	
	IEC 61131-9	
Shock resistance	DIN EN 60068-2-27	
	Vibration resistance	DIN EN 60068-2-64
		DIN EN 60068-2-6
MTTF [years]	46	

Mechanical data	
Weight [g]	435.932
Housing	rectangular

AL2321



IO-Link input/output module

IOL MOD SL 8XDX/DX A M12 IP67

Type of mounting	backplane mounting
Dimensions [mm]	208 x 59.3 x 38.4
Materials	housing: PA orange; socket: brass nickel-plated
Sealing material	FKM

Displays / operating elements

Display	operation	1 x LED, green
	fault	1 x LED, red
	function	1 x LED, yellow

Accessories

Accessories (optional)	protective cap for M12 sockets
------------------------	--------------------------------

Remarks

Pack quantity	1 pcs.
---------------	--------

Electrical connection - IO-Link

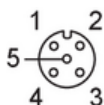
Connector: 1 x M12; coding: A



X1	
1	+ 24 V DC (US)
2	not used
3	GND (US)
4	IO-Link

Electrical connection - inputs / outputs

Connector: 8 x M12; coding: A; Sealing: FKM



X1.0...X1.7	
1	+ 24 V DC (US)
2	I/O2
3	GND (US)
4	I/O1
5	not used