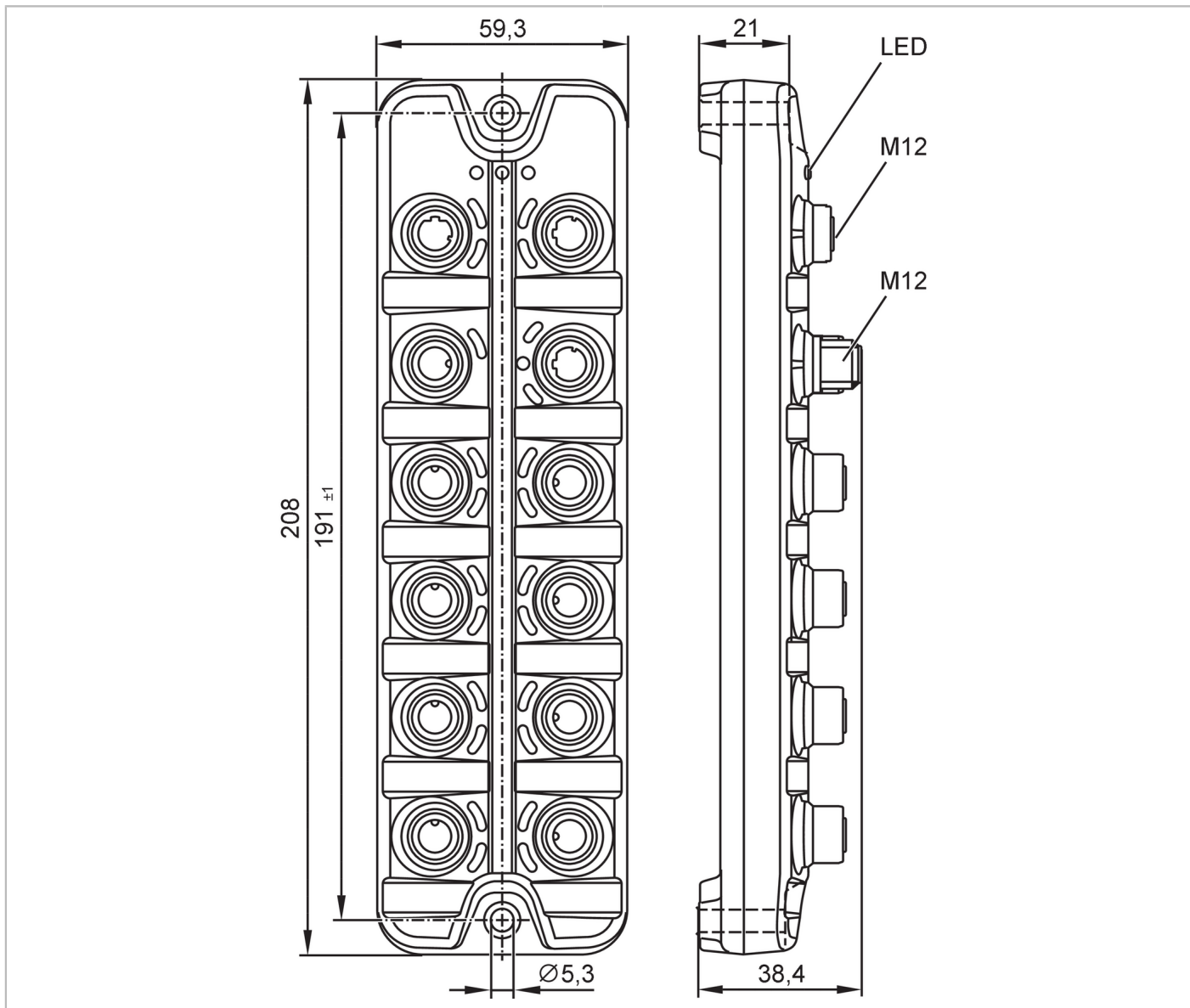


# AL1342



## IO-Link master with Modbus TCP interface

IO-Link Master DL MB 8P IP67



Application	
Application	I/O modules for field applications
Loop-through function	fieldbus interface
Electrical data	
Operating voltage [V]	20...30 DC; (US ; to SELV/PELV)
Current consumption [mA]	300...3900; (US)
Protection class	III
Sensor supply US	
Max. current load total [A]	3.6
Inputs / outputs	
Total number of inputs and outputs	16; (configurable)
Number of inputs and outputs	Number of digital inputs: 16; Number of digital outputs: 8



## IO-Link master with Modbus TCP interface

IO-Link Master DL MB 8P IP67

Inputs		
Number of digital inputs	16; (IO-Link Port Class A: 8 x 2)	
Switching level high [V]	11...30	
Switching level low [V]	0...5	
Digital inputs protected against short circuits	yes	
Outputs		
Number of digital outputs	8; (IO-Link Port Class A: 8 x 1)	
Max. current load per output [mA]	300	
Short-circuit proof	yes	
Interfaces		
Communication interface	Ethernet; IO-Link	
Ethernet - Modbus TCP		
Transmission standard	10Base-T; 100Base-TX	
Transmission rate	10 MBit/s; 100 MBit/s	
Protocol	Modbus TCP	
Factory settings	IP address: 192.168.1.250	
	subnet mask: 255.255.255.0	
	gateway IP address: 0.0.0.0	
	MAC address: see type label	
Ethernet - Internet of Things		
Transmission standard	10Base-T; 100Base-TX	
Transmission rate	10 MBit/s; 100 MBit/s	
Protocol	MQTT JSON	
Factory settings	IP address: 169.254.x.x	
	subnet mask: 255.255.0.0	
	gateway IP address: 0.0.0.0	
	MAC address: see type label	
Note on interfaces	Secure protocol: HTTPS	
IO-Link Master		
Transmission type	COM1 (4,8 kBaud); COM2 (38,4 kBaud); COM3 (230,4 kBaud)	
IO-Link revision	1.1	
Number of ports class A	8	
Operating conditions		
Ambient temperature [°C]	-25...60	
Storage temperature [°C]	-25...85	
Max. relative air humidity [%]	90	
Protection	IP 65; IP 66; IP 67	
Protection rating (NEMA 250)	6P	
Pollution degree	2	
Chemical media	ISO 16750-5	AA, BA, BD, HLP, CC, DB, DC, DD, CA
	NEMA 250 5.13.1	AA
Tests / approvals		
EMC	EN 61000-6-2	
	EN 61000-6-4	



## IO-Link master with Modbus TCP interface

IO-Link Master DL MB 8P IP67

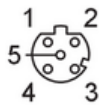
Shock resistance	DIN EN 60068-2-27	
Vibration resistance	DIN EN 60068-2-64 2009-04	
	DIN EN 60068-2-6 2008-10	
MTTF [years]		78

Mechanical data		
Weight [g]		403
Housing		rectangular
Type of mounting		backplane mounting
Dimensions [mm]		208 x 59.3 x 38.4
Materials		housing: PA orange; socket: brass nickel-plated
Sealing material		FKM

Remarks		
Remarks	For further information please see the operating instructions.	
Pack quantity		1 pcs.

### Electrical connection - Ethernet

Connector: 2 x M12; coding: D; Sealing: FKM



#### Modbus TCP X21, X22

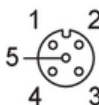
1	TX +
2	RX +
3	TX -
4	RX -
5	not used

#### IoT X23

1	TX +
2	RX +
3	TX -
4	RX -
5	not used

### Electrical connection - IO-Link

Connector: 8 x M12; coding: A; Sealing: FKM



#### IO-Link Port Class A X01...X08

1	Sensor supply (US) L+
2	digital input
3	Sensor supply (US) L-
4	C/Q IO-Link
5	not used

# AL1342



## IO-Link master with Modbus TCP interface

IO-Link Master DL MB 8P IP67

### Electrical connection - power supply

Connector: 1 x M12; coding: A



#### X31

1	+ 24 V DC (US)
2	not used
3	GND (US)
4	not used