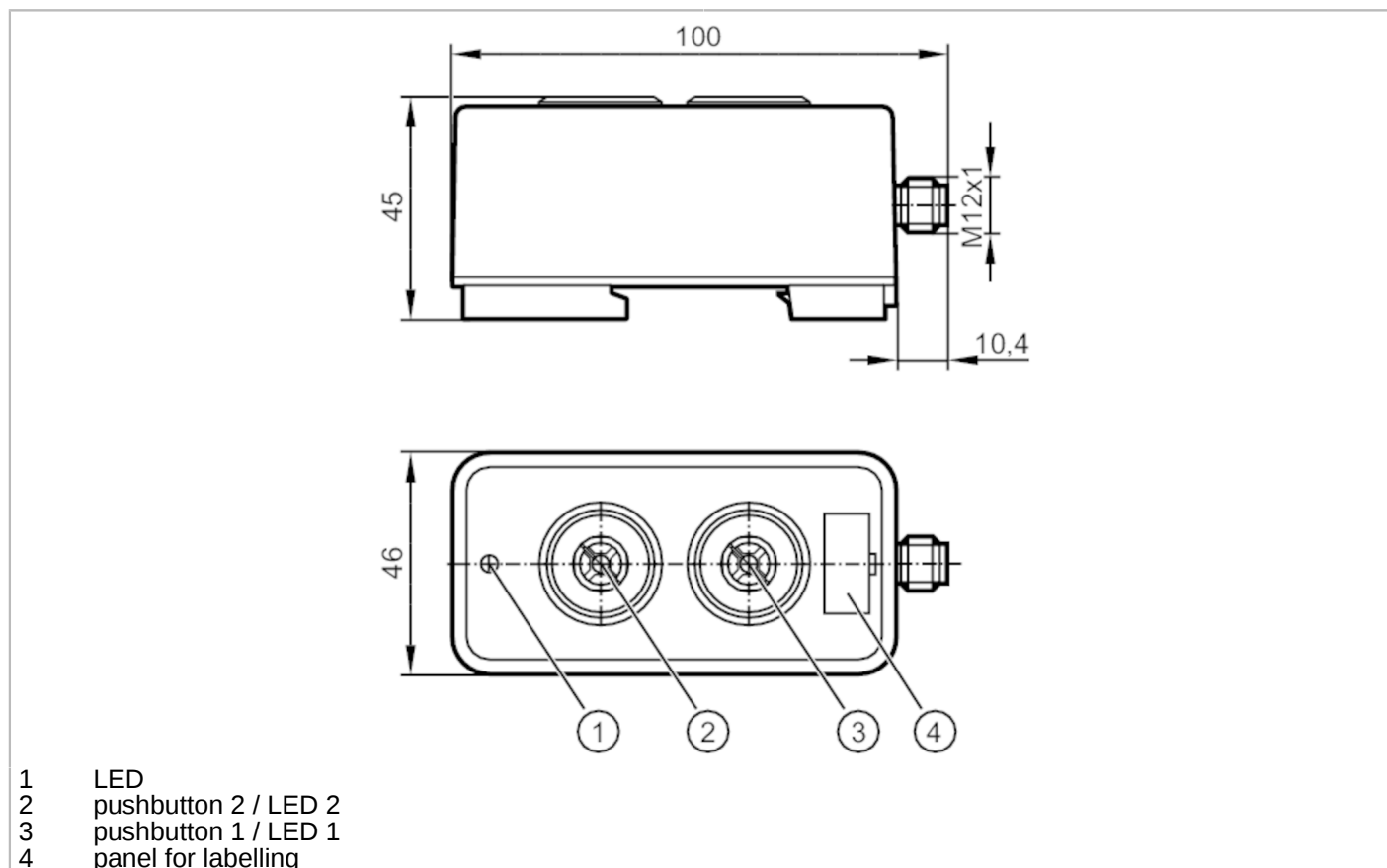


AC2386



AS-Interface illuminated pushbutton module

AS-i Module 2BI 2LO WT/WT



Application	
Design	Colour inserts changeable
Electrical data	
Operating voltage [V]	26.5...31.6 DC
Max. current consumption from AS-i [mA]	55
Inputs	
Sensor supply of the inputs	AS-i
Operating conditions	
Ambient temperature [°C]	-25...60
Storage temperature [°C]	-40...85
Protection	IP 67
Tests / approvals	
EMC	EN 61000-6-2
	EN 62026-2



AS-Interface illuminated pushbutton module

AS-i Module 2BI 2LO WT/WT

AS-i classification					
AS-i version	2.1 + 3.0				
Extended addressing mode possible	yes				
AS-i profile	S-7.A.E				
AS-i I/O configuration [hex]	7				
AS-i ID code [hex]	A.E				
AS-i certificate	133801				
Assignment of the data bits	data bit	D0	D1	D2	D3
	LED 1	DO-0	-	-	-
	LED 2	-	DO-1	-	-
	pushbutton 1	DI-0	-	-	-
	pushbutton 2	-	DI-1	-	-
Mechanical data					
Weight [g]	140				
Type of mounting	mounting on DIN rail				
Dimensions [mm]	89.6 x 46 x 45				
Materials	PA				
Displays / operating elements					
Display	operation		LED, green		
	errors		LED, red		
Operating elements	2		freely programmable backlit function keys		
Accessories					
Accessories (supplied)	cover support: 2				
	colour inserts: 2, red				
	2, green				
	2, yellow				
	2, blue				
2, white					
Remarks					
Pack quantity	1 pcs.				
Electrical connection					
1	AS-i +				
3	AS-i -				