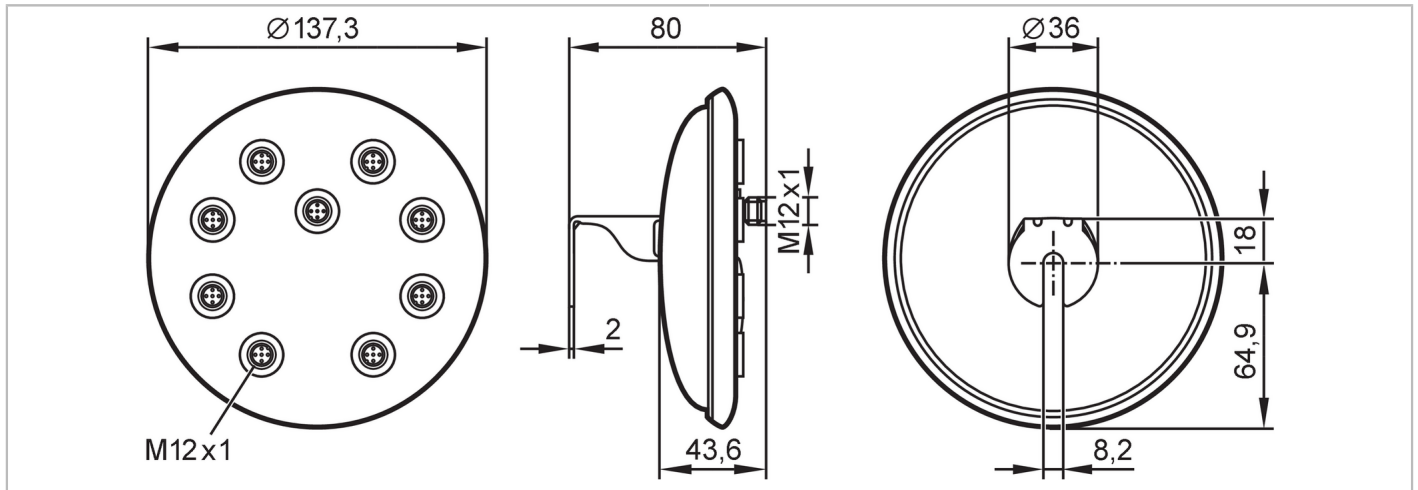


# AC2900



## AS-Interface ProcessLine module

ProcessLine 8 SB IP69K



Application	
Application	hygienic and wet areas in the food industry
Electrical data	
Operating voltage [V]	26.5...31.6 DC
Max. current load per module/slot [A]	4; (AS-i: 4 A; AUX: 4 A)
Additional voltage supply [V]	20...30 DC; (AUX)
Operating conditions	
Ambient temperature [°C]	-5...70
Protection	IP 68; IP 69K
Tests / approvals	
EMC	EN 62026-2 EN 61000-6-2
Mechanical data	
Weight [g]	613.5
Housing	cylindrical
Type of mounting	mounting base
Dimensions [mm]	$\varnothing 137.3$ / L = 80
Materials	stainless steel; PC
Electrical connection	
Module connection	M12
Accessories	
Items supplied	Protective cap: M12, E70297
Accessories (optional)	Torque wrench:, E70390
Remarks	
Pack quantity	1 pcs.

# AC2900

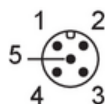


## AS-Interface ProcessLine module

ProcessLine 8 SB IP69K

### Electrical connection - plug

Connector: M12; coding: A; Contacts: 5; Tightening torque: 1.2...1.4 Nm



1	AS-i+
2	0 V
3	AS-i -
4	+24 V
5	functional earth