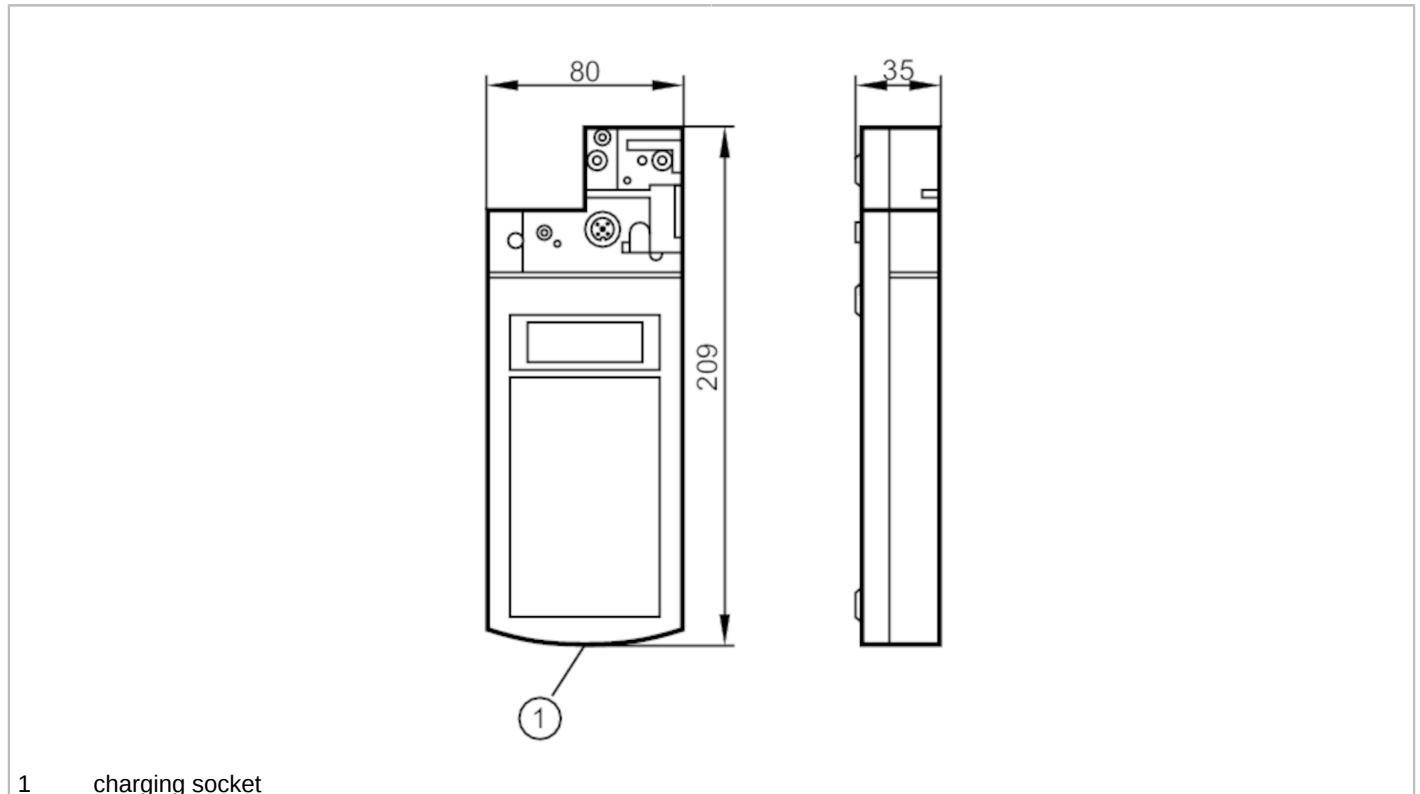


AC1154



AS-Interface addressing unit

Addressing unit AS-i 3.0



1 charging socket



Application	
Application	set-up and diagnosis
Electrical data	
Reverse polarity protection	yes
Operating conditions	
Protection	IP 20
AS-i classification	
AS-i version	3.0
Extended addressing mode	yes
Mechanical data	
Weight [g]	445
Housing	rectangular
Dimensions [mm]	209 x 80 x 35
Accessories	
Items supplied	230 V AC charging unit: 1
Accessories (optional)	addressing adapter:, for Compact Line module, E70423 addressing plug:, E70213
Remarks	
Pack quantity	1 pcs.