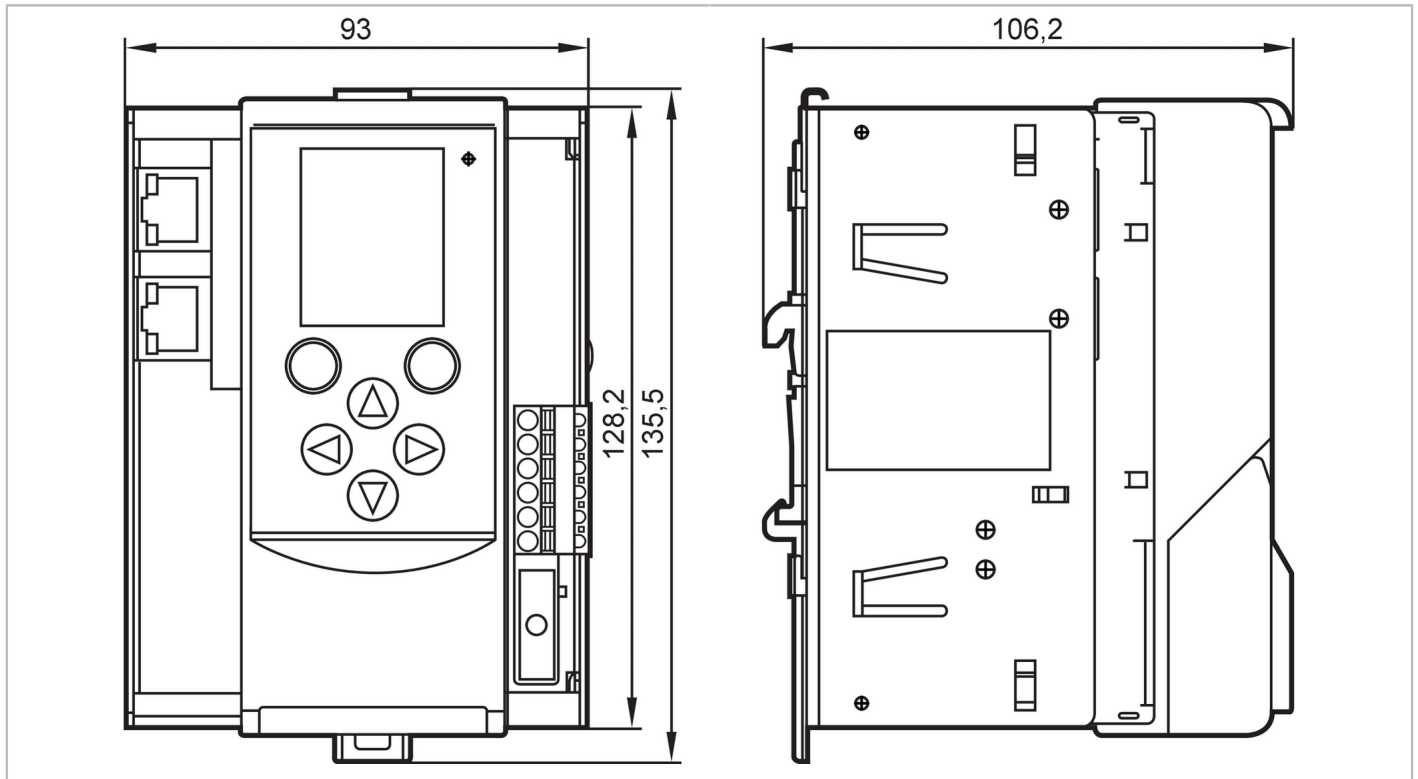


AC1421



AS-Interface EtherNet/IP gateway

AS-i Gateway 1Master EIP



Application	
Design	housing for DIN rail mounting
Application	EtherNet/IP gateway
Electrical data	
Operating voltage [V]	18...32 DC; (AUX; AS-i: 21...31,6 V DC)
Current consumption [mA]	< 500; (AUX / AS-i 1)
Max. current consumption from AS-i [mA]	500; (with external supply: 10 mA)
Number of AS-i masters	1
Electrical separation	yes
Outputs	
Voltage range DC [V]	to PELV
Interfaces	
Communication interface	Ethernet
Ethernet - EtherNet/IP	
Protocol	EtherNet/IP
Usage type	data transmission
Ethernet - Modbus TCP	
Transmission rate	10 MBaud; 100 MBaud
Connector type	RJ45
Protocol	Modbus TCP
Usage type	programming

AC1421



AS-Interface EtherNet/IP gateway

AS-i Gateway 1Master EIP

Ethernet - TCP/IP		
Transmission rate		10 MBaud; 100 MBaud
Connector type		RJ45
Protocol		TCP/IP
Usage type		programming
Ethernet - UDP/IP		
Transmission rate		10 MBaud; 100 MBaud
Connector type		RJ45
Protocol		UDP/IP
Usage type		programming
Operating conditions		
Ambient temperature	[°C]	0...60
Storage temperature	[°C]	-20...70
Protection		IP 20
Tests / approvals		
MTTF	[years]	46
AS-i classification		
AS-i version		3.0
AS-i master profile		M4
AS-i certificate		97303
Mechanical data		
Weight	[g]	710.5
Housing		rectangular
Type of mounting		mounting on DIN rail; (TH35 (EN 60715))
Dimensions	[mm]	135.5 x 93 x 106.2
Materials		aluminium powder-coated; steel sheet galvanised; PC
Displays / operating elements		
Display	function	1 x LED, red/green
		full graphic LCD display
Accessories		
Items supplied		terminals
Accessories (optional)		licence: "CODESYS V3", E71400
Remarks		
Pack quantity		1 pcs.

AC1421



AS-Interface EtherNet/IP gateway

AS-i Gateway 1Master EIP

Electrical connection

terminals: ...2.5 mm²

Connection

