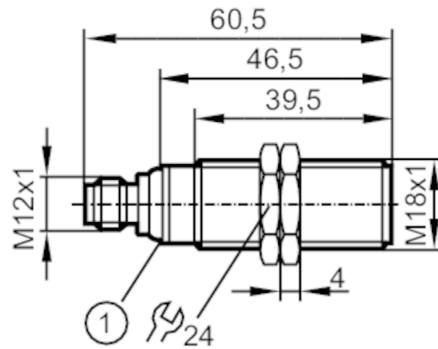


UGT213



Ultrasonic sensor

UGC00800EOKG/IO-Link/US



1 LEDs



Product characteristics

| | |
|-------------------------|--|
| Electrical design | PNP |
| Output function | normally open / normally closed; (parameterisable) |
| Sensing range [mm] | 60...800 |
| Communication interface | IO-Link |
| Housing | threaded type |
| Dimensions [mm] | M18 x 1 / L = 60.5 |

Electrical data

| | |
|-----------------------------|---|
| Operating voltage [V] | 10...30 DC; ("supply class 2" to cULus) |
| Current consumption [mA] | < 35 |
| Protection class | III |
| Reverse polarity protection | yes |
| Power-on delay time [s] | 0.1 |
| Converter frequency [kHz] | 230 |

Inputs / outputs

| | |
|------------------------------|------------------------------|
| Number of inputs and outputs | Number of digital outputs: 1 |
|------------------------------|------------------------------|

Inputs

| | |
|-----------------------|----|
| Synchronisation input | no |
| Multiplex input | no |

Outputs

| | |
|--|--|
| Total number of outputs | 1 |
| Electrical design | PNP |
| Number of digital outputs | 1 |
| Output function | normally open / normally closed; (parameterisable) |
| Permanent current rating of switching output DC [mA] | 100 |
| Switching frequency DC [Hz] | 5 |
| Short-circuit protection | yes |
| Overload protection | yes |

UGT213



Ultrasonic sensor

UGC00800EOKG/IO-Link/US

| Detection zone | | |
|---|--|--|
| Sensing range | [mm] | 60...800 |
| Blind zone | [mm] | 60 |
| Angle of aperture cylindrical | [°] | 7; (± 2) |
| Detection range hysteresis | [mm] | < 1 |
| Max. deviation from the 90° angle sensor/object | [°] | ± 4 |
| Accuracy / deviations | | |
| Notes on the accuracy / deviation | The indicated values are reached after a warm-up time of min. 20 minutes | |
| Temperature compensation | | yes |
| Hysteresis | [%] | < 1 |
| Switch point drift | [%] | -2.5...2.5 |
| Linearity error of analogue output | [%] | < 1 |
| Interfaces | | |
| Communication interface | | IO-Link |
| Transmission type | | COM2 (38,4 kBaud) |
| IO-Link revision | | 1.1 |
| SDCI standard | | IEC 61131-9 |
| IO-Link device ID | | 890 d / 00 03 7a h |
| Profiles | | Smart Sensor: Process Data Variable; Device Identification |
| SIO mode | | yes |
| Required master port type | | A |
| Min. process cycle time | [ms] | 10 |
| Operating conditions | | |
| Ambient temperature | [°C] | -20...70 |
| Protection | | IP 67 |
| Tests / approvals | | |
| EMC | EN 61000-4-2 ESD | 4 kV CD / plastics 8 kV AD / metal |
| | EN 61000-4-3 HF radiated | 3 V/m |
| | EN 61000-4-4 Burst | 2 kV |
| | EN 61000-4-6 HF conducted | 3 V |
| | EN 55011 | Class A |
| Vibration resistance | EN 60068-2-6 Fc | (10-55) Hz 1 mm amplitude, oscillation period 5 min., 30 min. per axis at resonance or 55 Hz |
| Shock resistance | EN 60068-2-27 Ea | yes |
| MTTF | [years] | 228 |
| Mechanical data | | |
| Weight | [g] | 56 |
| Housing | | threaded type |
| Dimensions | [mm] | M18 x 1 / L = 60.5 |
| Thread designation | | M18 x 1 |
| Materials | | PBT; PA; epoxy glass ceramics |

UGT213



Ultrasonic sensor

UGC00800EOKG/IO-Link/US

Displays / operating elements

| | | |
|---------|------------------|---------------|
| Display | switching status | 1 LED, yellow |
| | echo | 1 LED, green |

Accessories

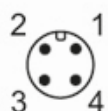
| | |
|------------------------|------------------------|
| Accessories (supplied) | lock nuts: 2, plastics |
| | rubber washers: 2 |

Remarks

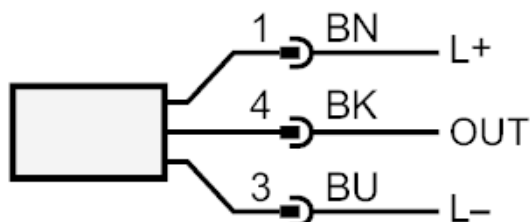
| | |
|---------------|---|
| Remarks | operating voltage "supply class 2" according to cULus |
| Pack quantity | 1 pcs. |

Electrical connection

Connector: 1 x M12

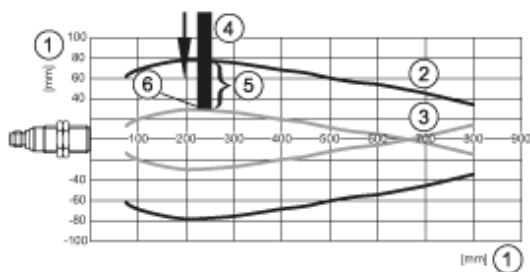
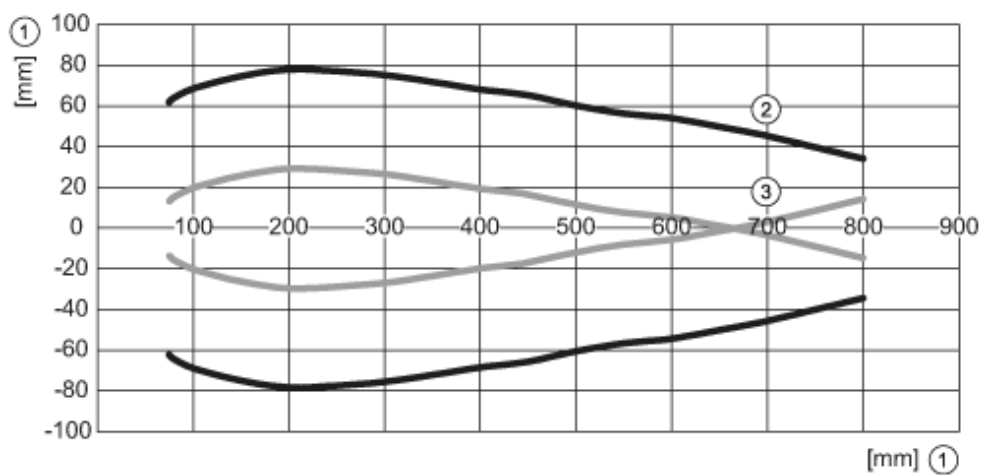


Connection



OUT: switching output / IO-Link

Diagrams and graphs



- 1: distance
- 2: Detection zone
- 3: switch-on/switch-off graph
- 4: Target 100 x 100 mm
- 5: 50% of the target in the detection zone
- 6: switch point