

SF3204

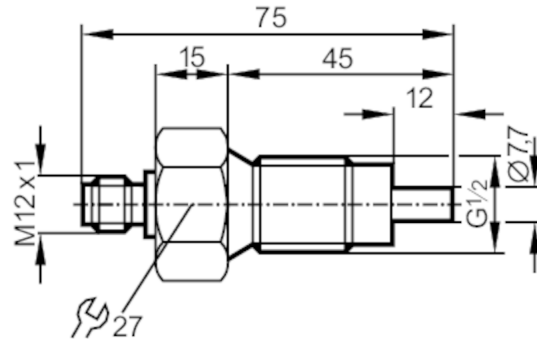


Flow sensor for connection to an evaluation unit

SFR12ABB/US-100

Article no longer available - archive entry

replaced by: SF5200 + E40096



Product characteristics

Process connection G 1/2 external thread

Application

Application high-temperature range
 Media Liquids; Gases
 Medium temperature [°C] -25...80
 Pressure rating [bar] 30

Liquids

Application high-temperature range
 Medium temperature [°C] -25...80

Gases

Medium temperature [°C] -25...80

Electrical data

Connection to control monitor VS3000

Measuring/setting range

Liquids

Setting range [cm/s] 3...300
 Greatest sensitivity [cm/s] 3...60

Gases

Setting range [cm/s] 200...2000
 Greatest sensitivity [cm/s] 200...800

Accuracy / deviations

Temperature gradient [K/min] 15

Response times

Response time [s] 1...10

Liquids

Response time [s] 1...10

Gases

Response time [s] 1...10

SF3204



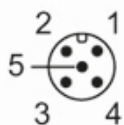
Flow sensor for connection to an evaluation unit

SFR12ABB/US-100

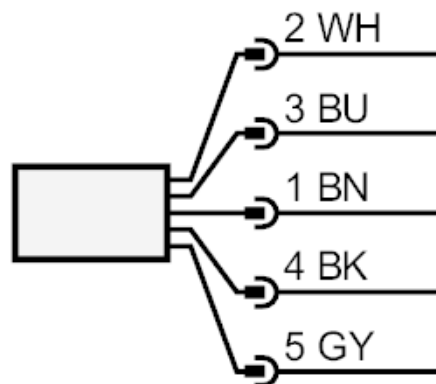
Operating conditions	
Protection	IP 67
Mechanical data	
Housing	threaded type
Materials	stainless steel (1.4571/316Ti)
Materials (wetted parts)	stainless steel (1.4571/316Ti)
Process connection	G 1/2 external thread
Accessories	
Accessories (supplied)	sealings: 2 x AMF 30
Remarks	
Pack quantity	1 pcs.

Electrical connection

Connector: 1 x M12; Maximum cable length: 100 m



Connection



Core colours :

- BN = brown
- BU = blue
- BK = black
- WH = white
- GY = grey

Article no longer available - archive entry

replaced by: SF5200 + E40096