

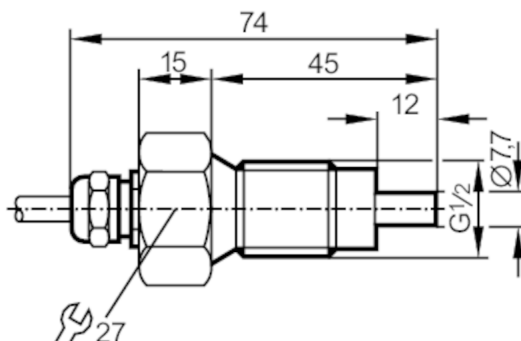
SF3001



Flow sensor for connection to an evaluation unit

SFR12ABA/6M/PH

Article no longer available - archive entry



Product characteristics

Process connection	G 1/2 external thread
--------------------	-----------------------

Application

Application	high-temperature range
Media	Liquids; Gases
Medium temperature [°C]	-25...80
Pressure rating [bar]	30

Liquids

Application	high-temperature range
Medium temperature [°C]	-25...80

Gases

Medium temperature [°C]	-25...80
-------------------------	----------

Electrical data

Connection to control monitor	VS 0200
-------------------------------	---------

Measuring/setting range

Liquids

Setting range [cm/s]	3...300
Greatest sensitivity [cm/s]	3...60

Gases

Setting range [cm/s]	200...2000
Greatest sensitivity [cm/s]	200...800

Accuracy / deviations

Temperature gradient [K/min]	15
------------------------------	----

Response times

Response time [s]	1...10
-------------------	--------

Liquids

Response time [s]	1...10
-------------------	--------

Gases

Response time [s]	1...10
-------------------	--------

Operating conditions

Protection	IP 67
------------	-------

SF3001



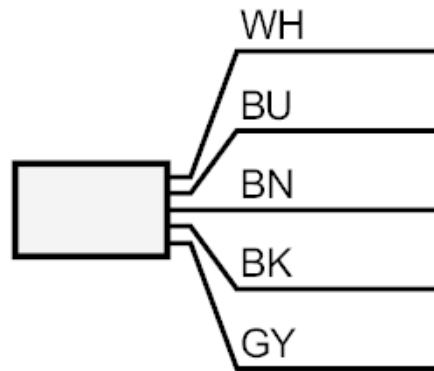
Flow sensor for connection to an evaluation unit

SFR12ABA/6M/PH

Mechanical data	
Housing	threaded type
Materials	stainless steel (1.4305 / 303)
Materials (wetted parts)	stainless steel (1.4305 / 303)
Process connection	G 1/2 external thread
Accessories	
Accessories (supplied)	sealings: 2 x AMF 30
Remarks	
Pack quantity	1 pcs.

Electrical connection	
Cable: 6 m, PUR / PVC; 5 x 0.34 mm ²	

Connection



	Core colours :
BN =	brown
BU =	blue
BK =	black
WH =	white
GY =	grey

Article no longer available - archive entry