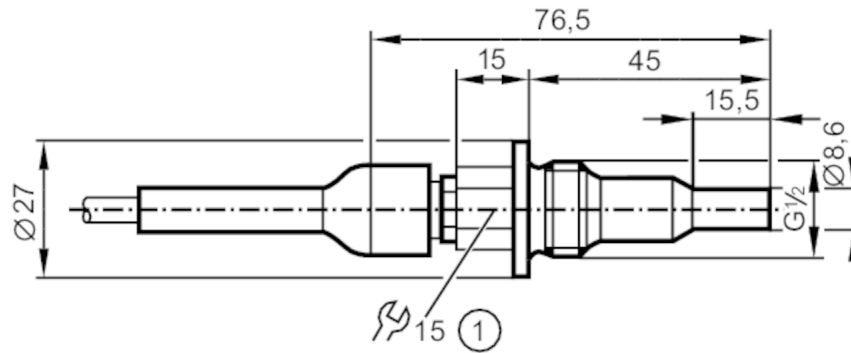


SF3410



Flow sensor for connection to an evaluation unit

SFR12XBK/6M



1 tightening torque max. 30 Nm

EAC

Product characteristics		
Probe length L	[mm]	30
Process connection		G 1/2 external thread
Application		
Media		Liquids; aggressive media
Medium temperature	[°C]	5...70
Pressure rating	[bar]	30
Liquids		
Medium temperature	[°C]	5...70
Electrical data		
Connection to control monitor		VS3000
Measuring/setting range		
Probe length L	[mm]	30
Liquids		
Setting range	[cm/s]	3...60
Greatest sensitivity	[cm/s]	3...40
Accuracy / deviations		
Temperature gradient	[K/min]	7
Response times		
Response time	[s]	2...20
Liquids		
Response time	[s]	2...20
Operating conditions		
Protection		IP 67
Tests / approvals		
Shock resistance	DIN IEC 68-2-27	40 g (11 ms)
Vibration resistance	DIN IEC 68-2-6	10 g (55...2000 Hz)
MTTF	[years]	8213

SF3410



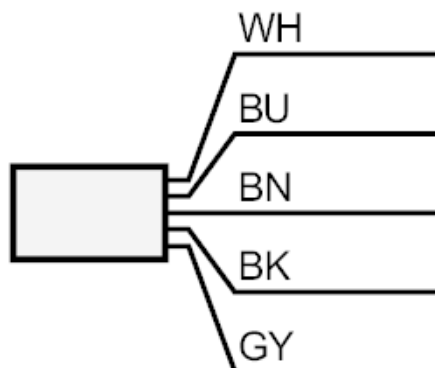
Flow sensor for connection to an evaluation unit

SFR12XBK/6M

Mechanical data	
Weight [g]	389.5
Housing	threaded type
Materials	ceramics (99.7 % Al ₂ O ₃)
Materials (wetted parts)	ceramics (99.7 % Al ₂ O ₃)
Process connection	G 1/2 external thread
Installation length EL [mm]	45
Accessories	
Accessories (supplied)	sealings: 1, PTFE
Remarks	
Remarks	For sealing use the supplied PTFE packing washer.
Pack quantity	1 pcs.

Electrical connection
Cable: 6 m, PUR; Maximum cable length: 100 m; 5 x 0.34 mm², PVC

Connection



	Core colours :
BN =	brown
BU =	blue
BK =	black
WH =	white
GY =	grey