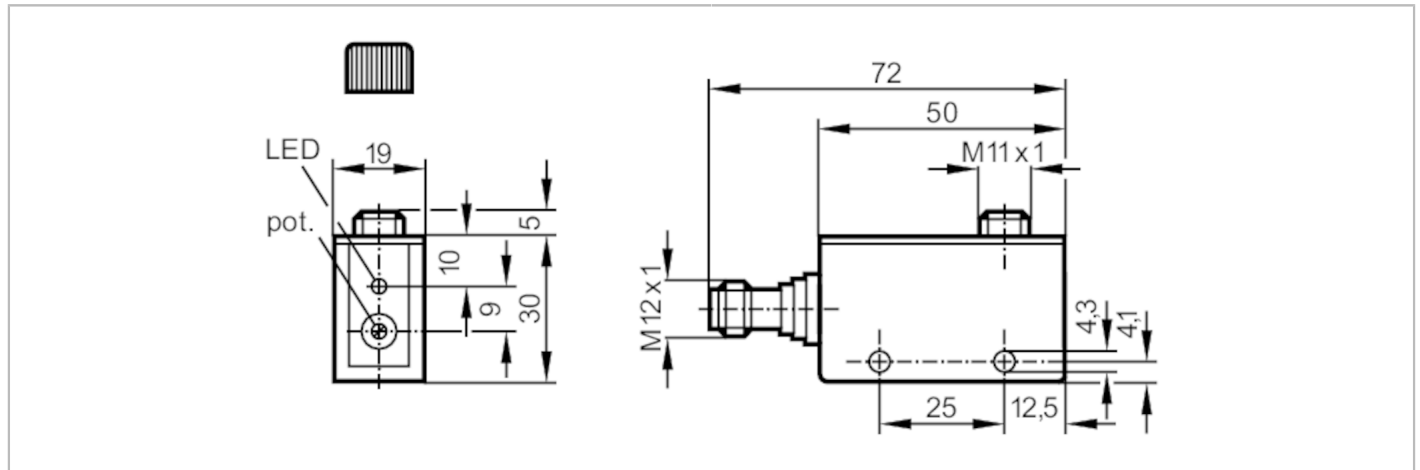


OK5008



Fibre-optic amplifier

OKF-FPKG/US-100-DPF



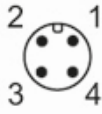
Product characteristics		
Type of light		red light
Housing		rectangular
Dimensions	[mm]	50 x 19 x 35
Electrical data		
Operating voltage	[V]	10...36 DC
Current consumption	[mA]	30; ((24 V))
Protection class		III
Reverse polarity protection		yes
Type of light		red light
Wave length	[nm]	660
Outputs		
Electrical design		PNP
Output function		light-on/dark-on mode; (programmable)
Max. voltage drop switching output DC	[V]	2.5
Permanent current rating of switching output DC	[mA]	250
Switching frequency DC	[Hz]	120
Short-circuit protection		yes
Type of short-circuit protection		pulsed
Overload protection		yes
Detection zone		
Range	[m]	0...0.12; (Through-beam sensor)
Range	[mm]	0...40; (Diffuse reflection sensor)
Range adjustable		yes
Operating conditions		
Ambient temperature	[°C]	-25...60
Protection		IP 65

OK5008



Fibre-optic amplifier

OKF-FPKG/US-100-DPF

Tests / approvals		
EMC	EN 60947-5-2	
	EN 55011	class B
MTTF [years]		529
Mechanical data		
Weight [g]		65.2
Housing		rectangular
Dimensions [mm]		50 x 19 x 35
Materials		PPO modified
Lens alignment		side lens
Displays / operating elements		
Display	switching status	1 x LED, yellow
Accessories		
Accessories (supplied)		screwdrivers
		screws: 2 x x M4 x 25
		washers: 2 x
		spring washers: 2 x
		Nuts: 2 x
Remarks		
Remarks		light-on mode corresponds to the NC output function for through-beam fibre optics
		corresponds to the NO output function for diffuse-reflection fibre optics
Remarks		dark-on mode corresponds to the NO output function for through-beam fibre optics
		corresponds to the NC output function for diffuse-reflection fibre optics
Pack quantity		1 pcs.
Electrical connection		
Connector: 1 x M12		
		

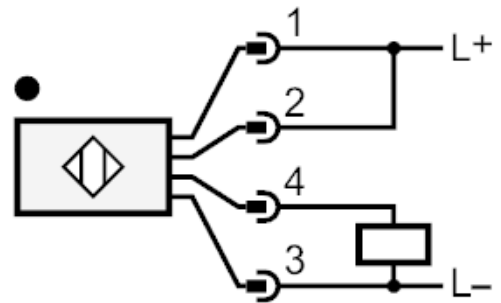
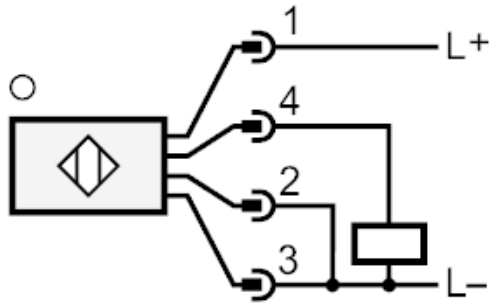
OK5008



Fibre-optic amplifier

OKF-FPKG/US-100-DPF

Connection



Core colours :

BN =	brown
BU =	blue
BK =	black
WH =	white