

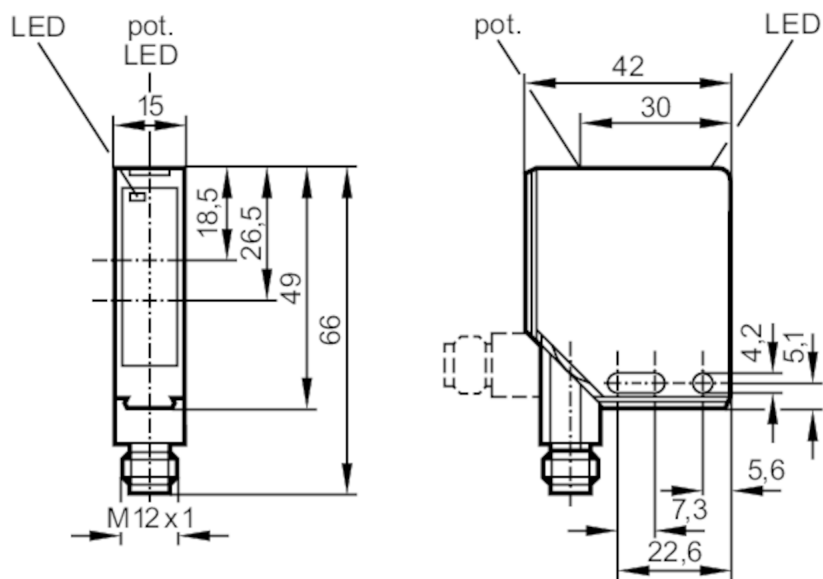


## Diffuse reflection sensor

OCH-CPKG/US-100

Article no longer available - archive entry

Alternative article: O5H500 When selecting an alternative article and accessories please note that technical data may differ! – When selecting an alternative article and accessories please note that technical data may differ!



receiver in upper lens  
transmitter in lower lens

### Product characteristics

Type of light	infrared light
Housing	rectangular
Dimensions [mm]	49 x 15 x 42

### Application

Special feature	Background suppression
Function principle	Diffuse reflection sensor

### Electrical data

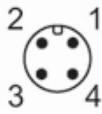
Operating voltage [V]	10...30 DC
Current consumption [mA]	< 40
Protection class	II
Reverse polarity protection	yes
Type of light	infrared light
Wave length [nm]	880

# OC5216



## Diffuse reflection sensor

OCH-CPKG/US-100

Outputs		
Electrical design		PNP
Output function		complementary
Max. voltage drop switching output DC	[V]	2.9
Permanent current rating of switching output DC	[mA]	100
Switching frequency DC	[Hz]	1500
Short-circuit protection		yes
Type of short-circuit protection		pulsed
Overload protection		yes
Detection zone		
Range	[mm]	20...250
Range adjustable		yes
Max. light spot diameter	[mm]	12.5
Light spot dimensions refer to		at maximum range
Background suppression available		yes
Operating conditions		
Ambient temperature	[°C]	-40...60
Protection		IP 67
Tests / approvals		
EMC		EN 60947-5-2
Mechanical data		
Housing		rectangular
Dimensions	[mm]	49 x 15 x 42
Materials		diecast zinc
Lens material		PMMA
Displays / operating elements		
Display	switching status	1 x LED, yellow
	function	1 x LED, yellow flashing light
Accessories		
Accessories (supplied)		screwdrivers
Remarks		
Pack quantity		1 pcs.
Electrical connection		
Connector: 1 x M12		
		

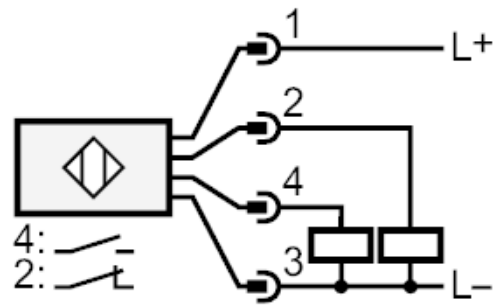
# OC5216



## Diffuse reflection sensor

OCH-CPKG/US-100

### Connection



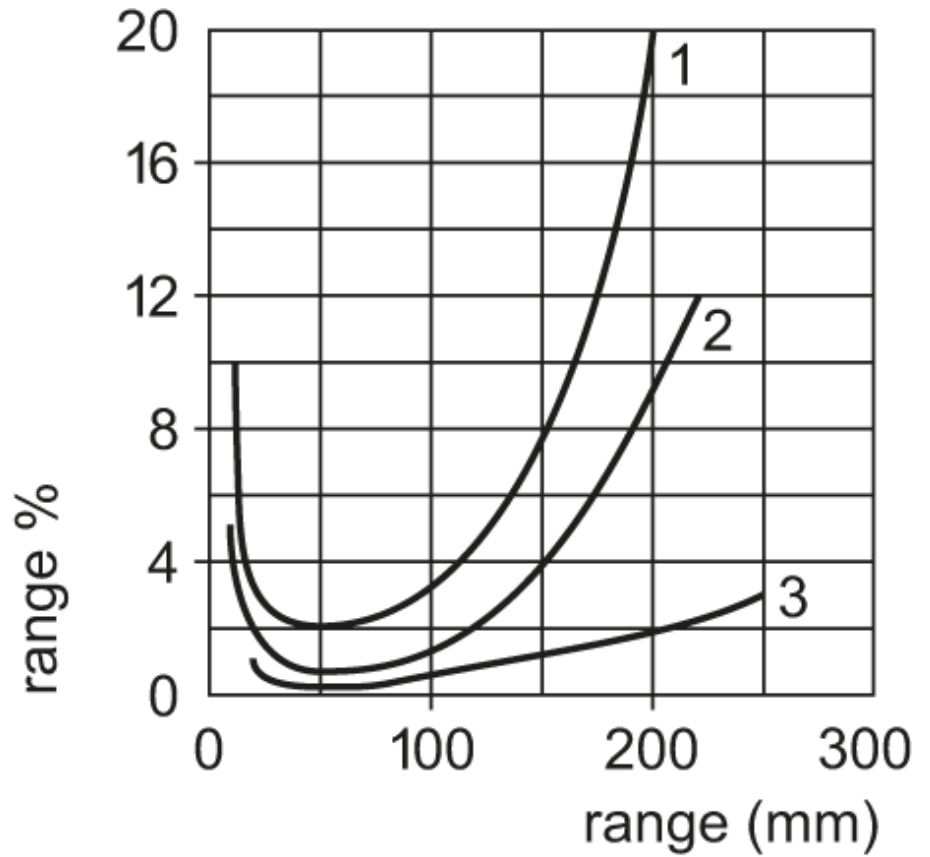


Diffuse reflection sensor

OCH-CPKG/US-100

Diagrams and graphs

accuracy graph



x: distance sensor/object [mm]

y: min. distance object/background [mm]

1 = object black (6 % remission) , background (white 90 % remission)

2 = object grey (18 % remission) , background (white 90 % remission)

3 = object white (90 % remission) , background (white 90 % remission)

Note : range % = setting in % of the range

Article no longer available - archive entry

Alternative article: O5H500 When selecting an alternative article and accessories please note that technical data may differ! – When selecting an alternative article and accessories please note that technical data may differ!