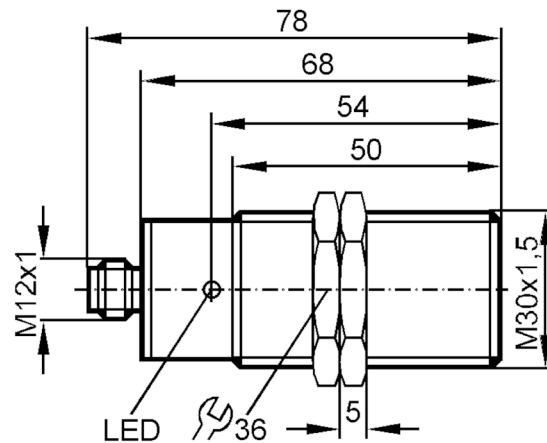




## Inductive sensor

IIA3010UBPKG/SC/US100DPS/78MM

Article no longer available - archive entry



### Product characteristics

Electrical design		PNP
Output function		normally open
Sensing range	[mm]	10
Housing		threaded type
Dimensions	[mm]	M30 x 1.5

### Electrical data

Operating voltage	[V]	10...36 DC
Current consumption	[mA]	7.8; (24 V)
Protection class		II
Reverse polarity protection		yes

### Outputs

Electrical design		PNP
Output function		normally open
Max. voltage drop switching output DC	[V]	1.5
Permanent current rating of switching output DC	[mA]	250
Switching frequency DC	[Hz]	300
Short-circuit protection		yes
Type of short-circuit protection		pulsed
Overload protection		yes

# II5802



## Inductive sensor

IIA3010UBPKG/SC/US100DPS/78MM

Detection zone		
Sensing range	[mm]	10
Real sensing range Sr	[mm]	10 ± 10 %
Operating distance	[mm]	0...8.1
Accuracy / deviations		
Correction factor		steel: 1 / stainless steel: 0.7 / brass: 0.4 / aluminium: 0.3 / copper: 0.2
Hysteresis	[% of Sr]	1...15
Switch point drift	[% of Sr]	-10...10
Operating conditions		
Ambient temperature	[°C]	-25...70
Protection		IP 65
Tests / approvals		
EMC	EN 60947-5-2	
	EN 55011	class B
Mechanical data		
Housing		threaded type
Mounting		flush mountable
Dimensions	[mm]	M30 x 1.5
Thread designation		M30 x 1.5
Materials		housing: brass PTFE coated; sensing face: PBT PTFE coated
Displays / operating elements		
Display	switching status	1 x LED, yellow
Accessories		
Accessories (supplied)		lock nuts: 2
Remarks		
Pack quantity		1 pcs.
Electrical connection - plug		

Connector: 1 x M12



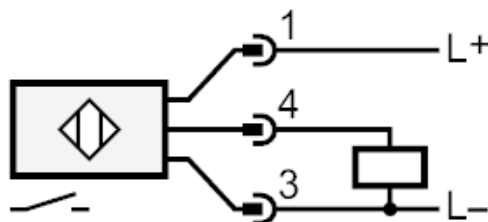
# I15802



## Inductive sensor

I1A3010UBPKG/SC/US100DPS/78MM

### Connection



Article no longer available - archive entry