

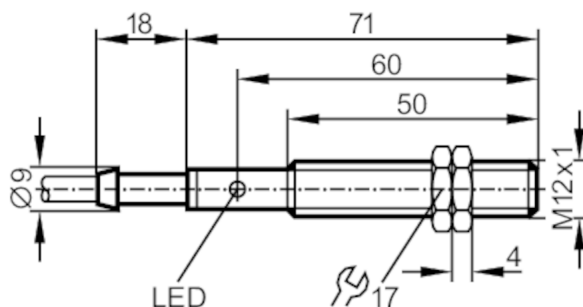
IF5038



Inductive sensor

IF-3002-BPOG/20m

Article no longer available - archive entry



Product characteristics

Electrical design		PNP
Output function		normally open
Sensing range	[mm]	2
Housing		threaded type
Dimensions	[mm]	M12 x 1 / L = 71

Electrical data

Operating voltage	[V]	10...55 DC
Current consumption	[mA]	7; (24 V)
Protection class		II
Reverse polarity protection		no

Outputs

Electrical design		PNP
Output function		normally open
Max. voltage drop switching output DC	[V]	1
Permanent current rating of switching output DC	[mA]	400
Switching frequency DC	[Hz]	700
Short-circuit protection		no
Overload protection		no

Detection zone

Sensing range	[mm]	2
Real sensing range Sr	[mm]	2 ± 10 %
Operating distance	[mm]	0...1.6

Accuracy / deviations

Correction factor		steel: 1 / stainless steel: 0.7 / brass: 0.4 / aluminium: 0.4 / copper: 0.3
Hysteresis	[% of Sr]	1...15
Switch point drift	[% of Sr]	-10...10

Operating conditions

Ambient temperature	[°C]	-25...80
Protection		IP 67

IF5038



Inductive sensor

IF-3002-BPOG/20m

Mechanical data	
Housing	threaded type
Mounting	flush mountable
Dimensions [mm]	M12 x 1 / L = 71
Thread designation	M12 x 1
Materials	PBT

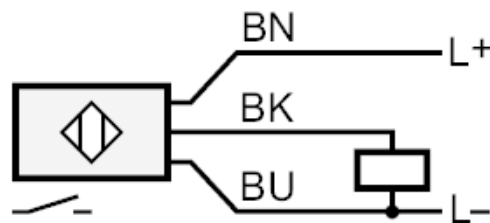
Displays / operating elements		
Display	switching status	1 x LED, yellow

Accessories	
Accessories (supplied)	lock nuts: 2

Remarks	
Pack quantity	1 pcs.

Electrical connection
Cable: 20 m, PVC; 3 x 0.34 mm²

Connection



Core colours :
BN = brown
BU = blue
BK = black

Article no longer available - archive entry