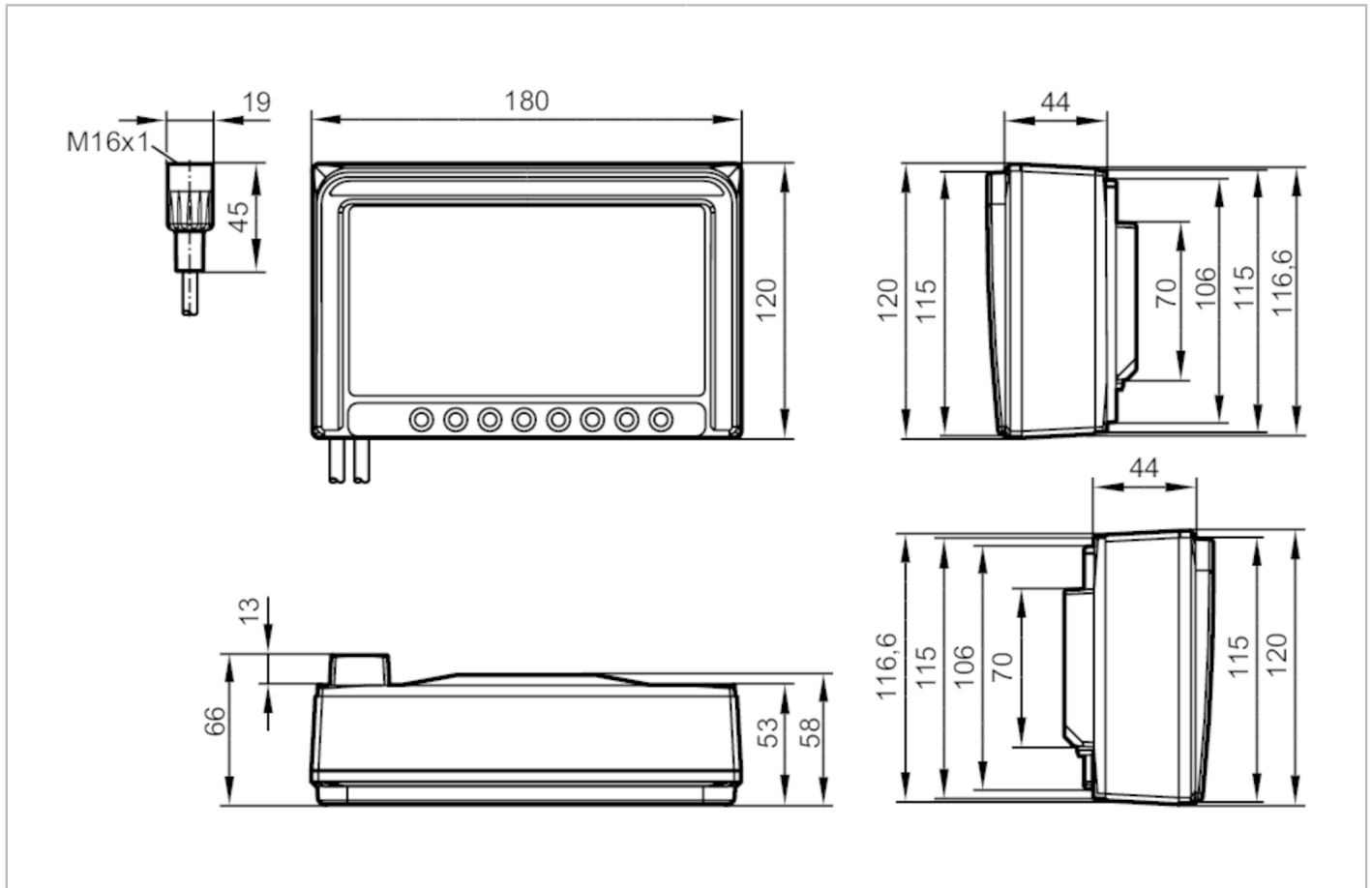


E2M231



Monitor with one analogue video input

MONITOR ANALOGUE VIDEO INPUT/1 PORT



Application	
Application	Monitor for up to 1 O2M2xx / O3M2xx camera
Electrical data	
Operating voltage [V]	18...30 DC; ($\pm 10\%$)
Overvoltage protection	yes
Power supply for camera [mA]	2000; ($\pm 10\%$)
Inputs	
Video input	1 Vtt, 75 Ω , PAL 50 Hz, 4,43 MHz color sub carr
Operating conditions	
Ambient temperature [°C]	-40...85
Storage temperature [°C]	-40...125
Storage humidity [%]	< 75; (relative humidity)
Shelf life [MON]	24
Protection	IP 67
Tests / approvals	
Shock resistance	15,3 G(rms) Frequency range 24...2000 Hz PSD 0,04...0,10 g ² /Hz

E2M231



Monitor with one analogue video input

MONITOR ANALOGUE VIDEO INPUT/1 PORT

Mechanical data

Weight	[g]	1202.5
Materials	housing: ABS black; fixture: aluminium black	

Displays / operating elements

Display type	colour display
Display size	7"

Remarks

Pack quantity	1 pcs.
---------------	--------

Electrical connection - socket

Cable: 2 m

Connector: 1 x M16



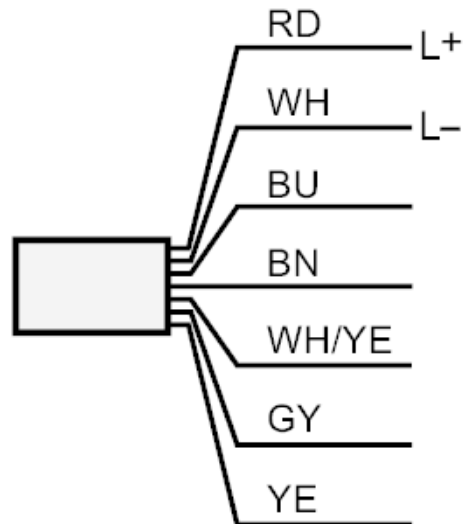
E2M231



Monitor with one analogue video input

MONITOR ANALOGUE VIDEO INPUT/1 PORT

Connection



RD:	L+
WH:	L-
BU:	activate camera 1
BN:	activate camera 2
WH/YE:	activate camera 3
GY:	activate camera 4 tachometer
YE:	hand brake

1	coax cable core video signal
2	coax screen video GND
3	U+
4	0 V